

CONTRAPESO MANILLAR LARGOS / LONG BAR END WEIGHTS SUZUKI

REF 8496N

M O U N T I N G I N S T R U C T I O N S



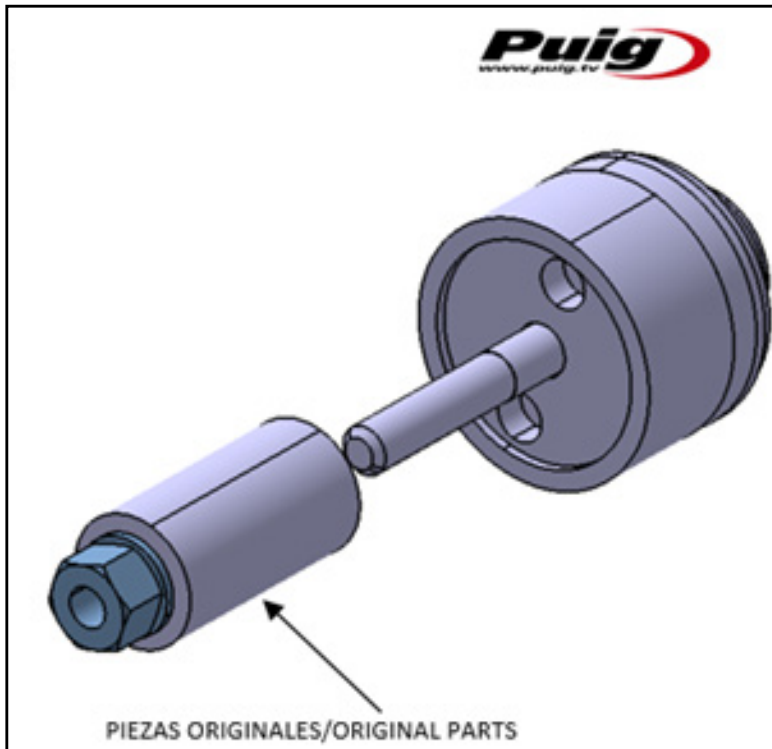
1 Person



15 min



EASY



APPLICATION SCREW LIST

Busque su motocicleta en la lista y use el tornillo indicado para el montaje del contrapeso.

Check your bike on the list and use the screw suitable to fit the end bar.

MODELO/MODEL	AÑO/YEAR	TORNILLO/SCREW
GSX-R600	06' - 15'	M6X55
GSX-R750	06' - 15'	M6X55
GSX-R1000	05' - 14'	M6X55
SV650	05' - 08'	M6X55
SV650S	03' - 08'	M6X55
SV1000/S	03' - 05'	M6X55
DL650 V-STROM	04' - 11'	M6X110
DL650A V-STROM	12' - 14'	M6X110
DL650XT V-STROM	15'-17'	M6X110
DL1000 V-STROM	02' - 07'	M6X110
DL1000 V-STROM	14' - 15'	M6X110
GSF650 BANDIT/S	07' - 14'	M6X110
GSF1250 BANDIT/S	07' - 13'	M6X110
GSX650F	08' - 14'	M6X110
GSX1250F	10' - 15'	M6X110
GSX-S1000/F	15'-17'	M6X110
GS500F	04' - 07'	M6X65
GSF600 BANDIT	96' - 06'	M6X65
GSF600S BANDIT	96' - 04'	M6X65
GSF1200 BANDIT/S	96' - 06'	M6X65
GSR600	06' - 11'	M6X65
GSX750F	92' - 97'	M6X65
GSX1400	01' - 06'	M6X65
GSX1200	99' - 00'	M6X65
GSX-R600	96' - 05'	M6X65
GSX-R750	96' - 05'	M6X65
GSX-R1000	01' - 04'	M6X65
GSX-R1300 HAYABUSA	99' - 07'	M6X65
TL1000R	98' - 99'	M6X65
TL1000S	97' - 00'	M6X65
GSR750	11' - 15'	M6X45
GSXS 750	17'	M6X45
GSX-R1300 HAYABUSA	08' - 12'	M6X45
B-KING	07' - 11'	M6X80
SFV650 GLADIUS	09' - 15'	M6X80
GSX250R	17'	M6X80
KATANA	19'	M6X110

**CONSULTAR EN NUESTRA PAGINA WEB LA DISPONIBILIDAD DEL VIDEO DE MONTAJE DE ESTA REFERENCIA.
CONSULT OUR WEBSITE THE VIDEO MOUNT AVAILABILITY OF THIS REFERENCE.**

