

MOTOPLASTIC, S.A.

Molí de la sal, 1 - 08400 Granollers (Barcelona) SPAIN

Tel. 34 93 849 06 33 - Fax 34 93 849 09 88

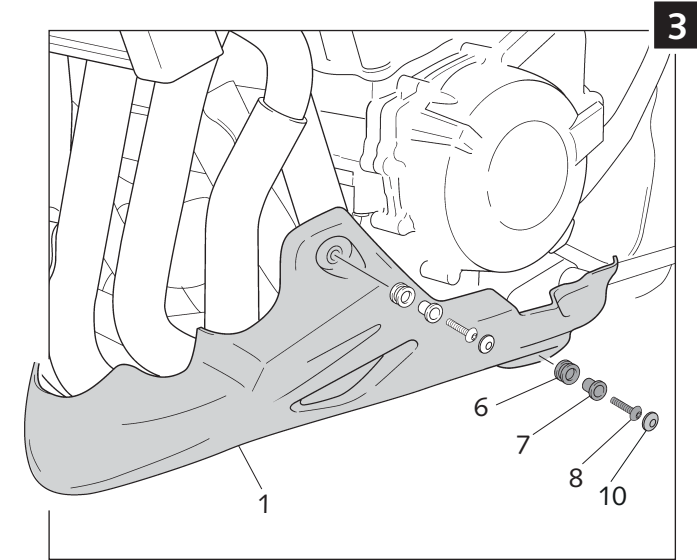
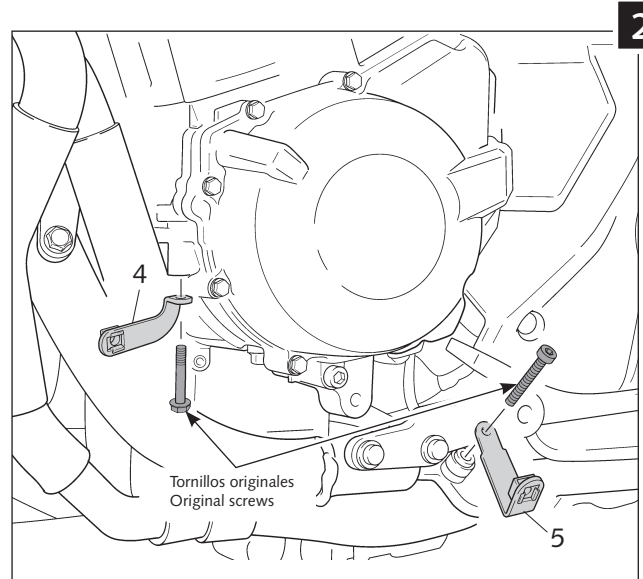
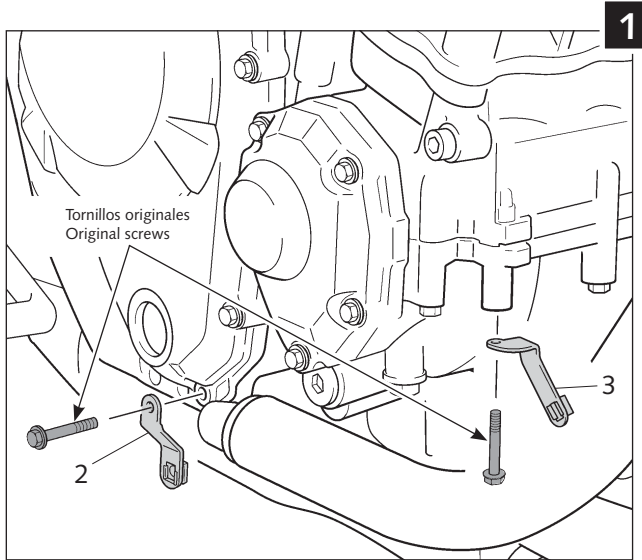
info@puig.tv











www.puig.tv

INSTRUCCIONES DE MONTAJE - MOUNTING INSTRUCTIONS

QUILLA ADAPTABLE A - ENGINE SPOILER ADAPTABLE TO **SUZUKI BANDIT** 650/650S '07- / 1250/1250S '07-

Ref.: 4415N
(color negro/black colour)
Ref.: 4415C
(color carbono/carbon look)



ID.	DESCRIPCIÓN	DESCRIPTION	QTY.
1	 Quilla	Engine spoiler	1
2	 Soporte derecho INOX con tuerca enjaulada M6	Right stainless steel support with an unside M6 nut	1
3	 Soporte derecho INOX con tuerca enjaulada M6	Right stainless steel support with an unside M6 nut	1
4	 Soporte izquierdo INOX con tuerca enjaulada M6	Left stainless steel support with an unside M6 nut	1
5	 Soporte izquierdo INOX con tuerca enjaulada M6	Left stainless steel support with an unside M6 nut	1
6	 Silemblock Ø9Ø11Ø18 (se suministra montado en la pieza nº1)	Ø9Ø11Ø18 well nut (supplied already mounted on the piece nº1)	4
7	 Casquillo con valona (se suministra montado en la pieza nº1)	Metal arrowhead with washer (supplied already mounted on the piece nº1)	4
8	 Tornillo allen M6x20 DIN 1001	M6x20 DIN 1001 allen screw	4
9	 Conjunto adhesivos (ver anexo)	Stickers set (annexe)	1
10	 Tapón tornillo M5 ISO7380	M5 ISO7380 screw cap	4

