

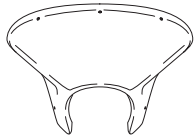











HARLEY DAVIDSON NIGHTSTER '24-

M O U N T I N G I N S T R U C T I O N S

REF 21913

SEMIFAIRING BATWING SML SPORT MODEL/ SEMICARENADO BATWING SML SPORT



| ID | PIEZA/PART | DESCRIPCIÓN | DESCRIPTION | QTY | REF |
|----|---|-----------------------------------|--------------------------------|-----|-----------------|
| 1 |  | Semicarenado Batwing SML | Batwing SML semifairing | 1 | 10897NM3 |
| 2 |  | Cúpula Sport | Sport screen | 1 | 10899H/WM3 |
| 3 |  | Soporte superior | Upper support | 1 | SOPOR3P3-S21913 |
| 4 |  | Soporte inferior derecho | Right lower support | 1 | SOPOR3P3IR21913 |
| 5 |  | Soporte inferior izquierdo | Left lower support | 1 | SOPOR3P3IL21913 |
| 6 |  | Arandela nylon M5x1 | M5x1 nylon washer | 4 | ARNV00000000245 |
| 7 |  | Tornillo Allen M5x16 Ø11 ISO 7380 | Allen screw M5x16 Ø11 ISO 7380 | 4 | TORNI-I7380-493 |
| 8 |  | Tapón tornillo M5 ISO 7380 | M5 ISO 7380 screw cap | 4 | TAPON-----85 |
| 9 |  | Tapón tuerca M4 | M4 nut cap | 3 | TAPON-----91 |
| 10 |  | Tuerca autoblocante M4 | M4 nut | 3 | TUERCAE985-0290 |
| 11 |  | Arandela nylon M4x0,5 | M4x0,5 nylon washer | 6 | ARNV00000000311 |
| 12 |  | Tornillo Allen M4x12 ISO7380 | M4x12 ISO 7380 Allen screw | 3 | TORNI-I7380-800 |

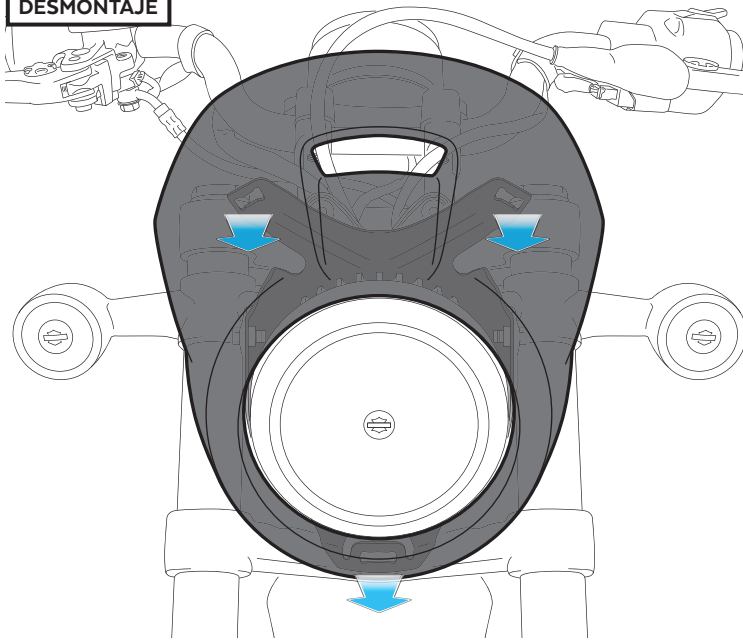
* Algunos componentes se suministran montados.
Some components are supplied assembled.

HARLEY DAVIDSON NIGHTSTER '24-

INSTRUCCIONES DE MONTAJE - MOUNTING INSTRUCTIONS - MONTAGEANLEITUNG

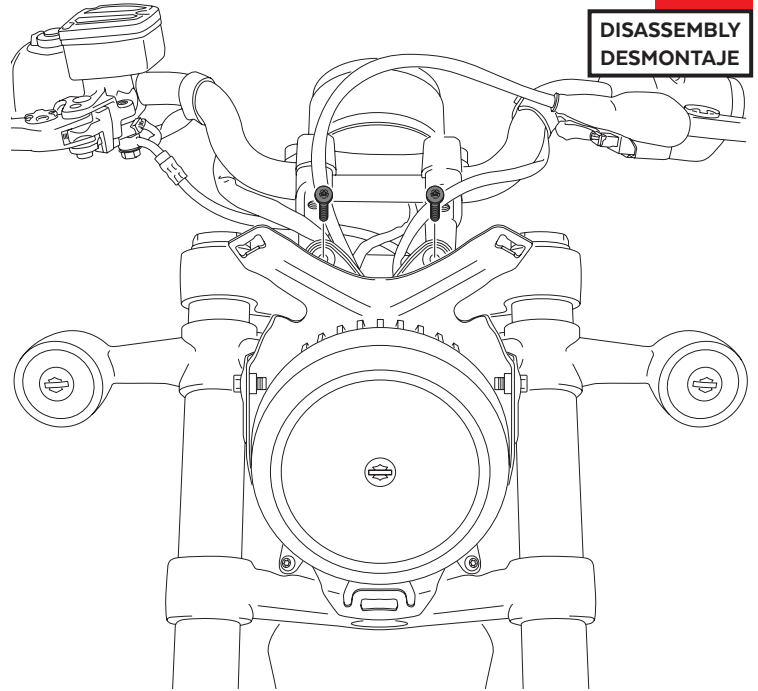
1

DISASSEMBLY
DESMONTAJE



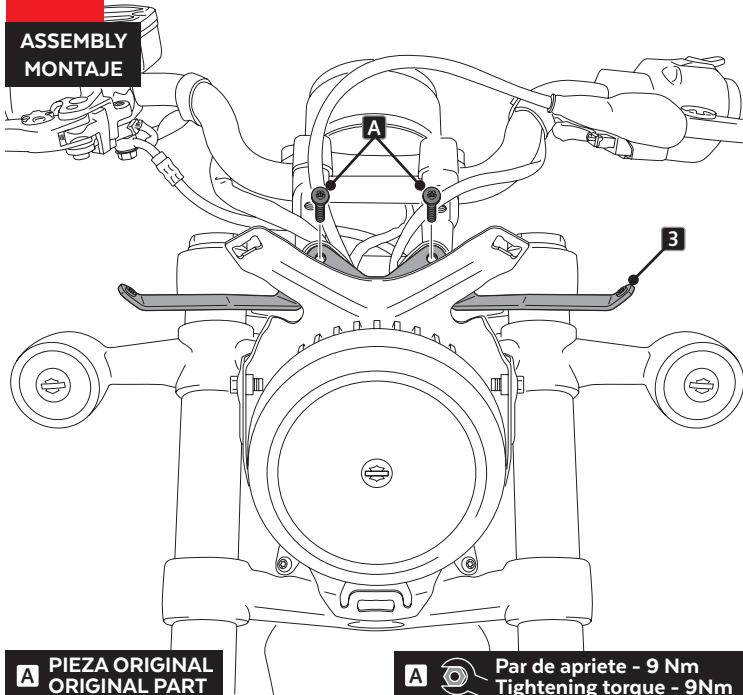
2

DISASSEMBLY
DESMONTAJE



3

ASSEMBLY
MONTAJE

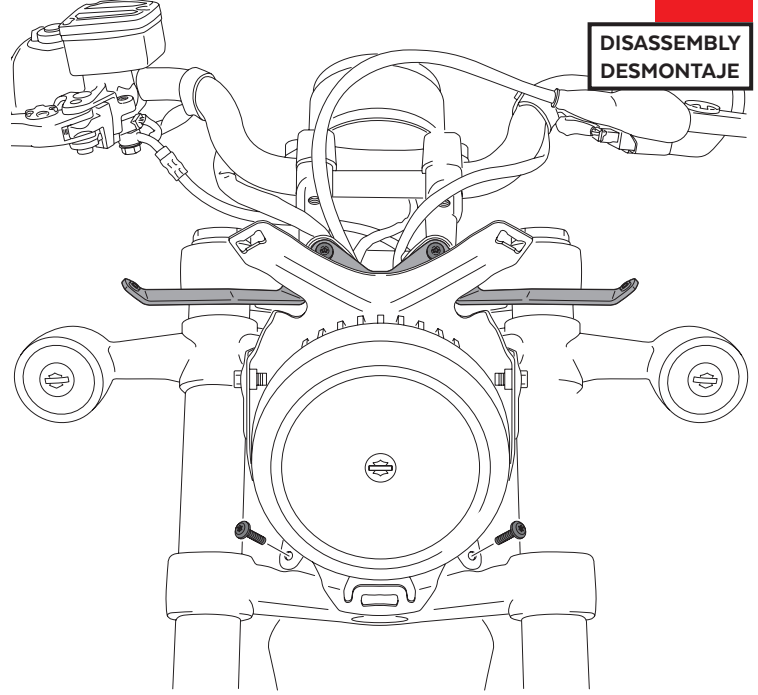


A PIEZA ORIGINAL
ORIGINAL PART

A Par de apriete - 9 Nm
Tightening torque - 9Nm

4

DISASSEMBLY
DESMONTAJE

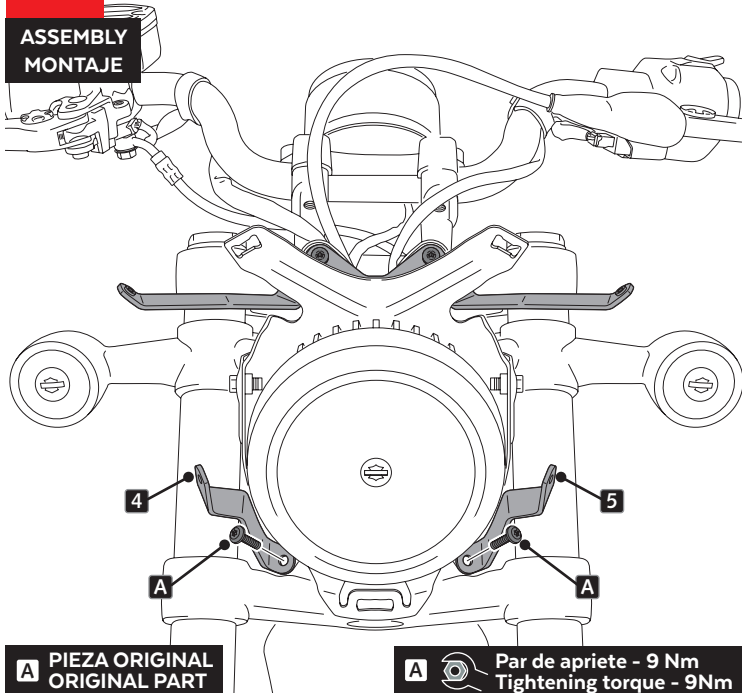


HARLEY DAVIDSON NIGHTSTER '24-

INSTRUCCIONES DE MONTAJE - MOUNTING INSTRUCTIONS - MONTAGEANLEITUNG

5

ASSEMBLY
MONTAJE

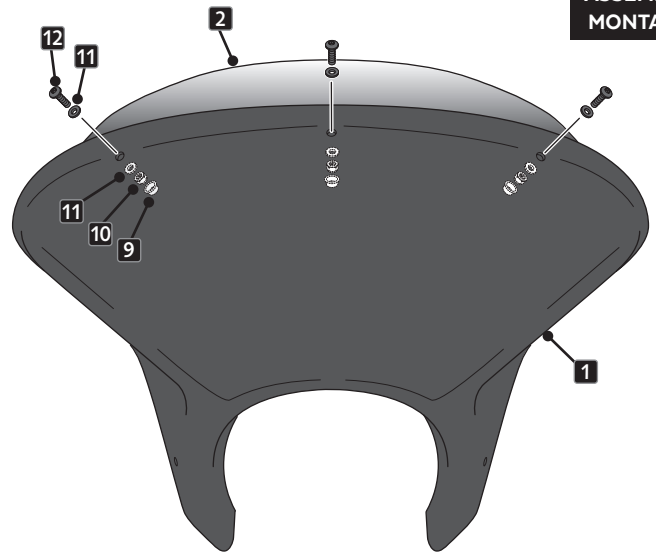


A PIEZA ORIGINAL
ORIGINAL PART

A Par de apriete - 9 Nm
Tightening torque - 9Nm

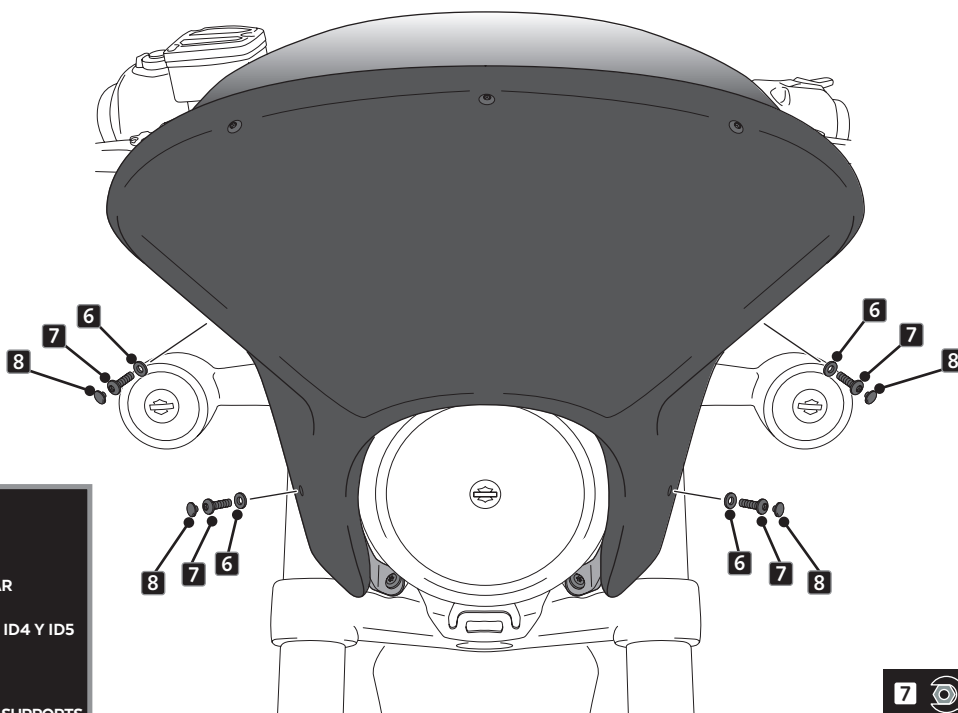
6

ASSEMBLY
MONTAJE



7

ASSEMBLY
MONTAJE



SI ES NECESARIO, PARA CENTRAR
EL SEMICARENADO, AJUSTAR
LA POSICIÓN DE LOS SOPORTES ID4 Y ID5

IF IT'S NECESSARY, TO CENTER
THE SEMIFAIRING, ADJUST
THE POSITION OF THE ID4 AND ID5 SUPPORTS

7 Par de apriete - 3 Nm
Tightening torque - 3Nm