

MIRROR
AILERON

REF. 22024N

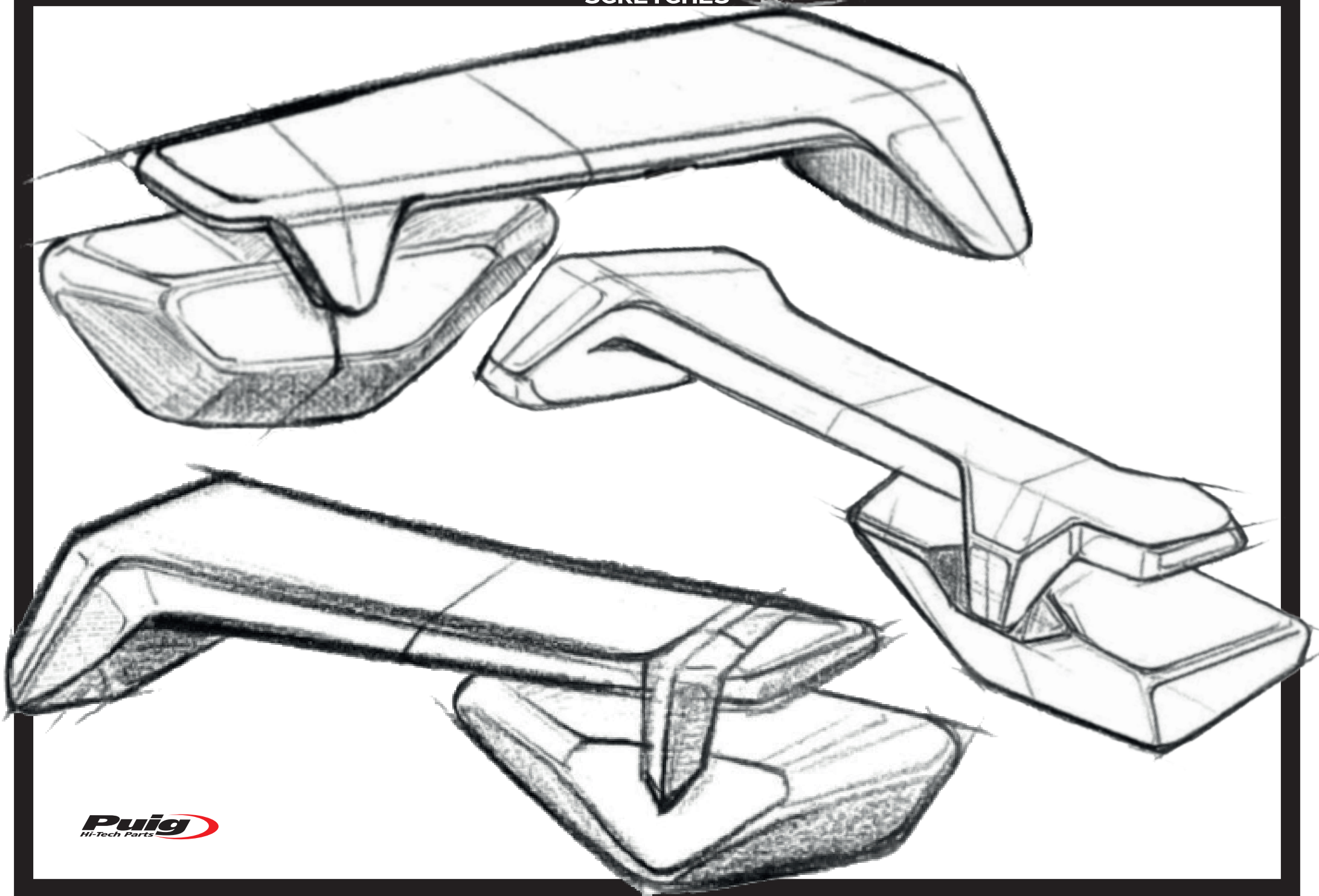
KAWASAKI ZX10R 21'

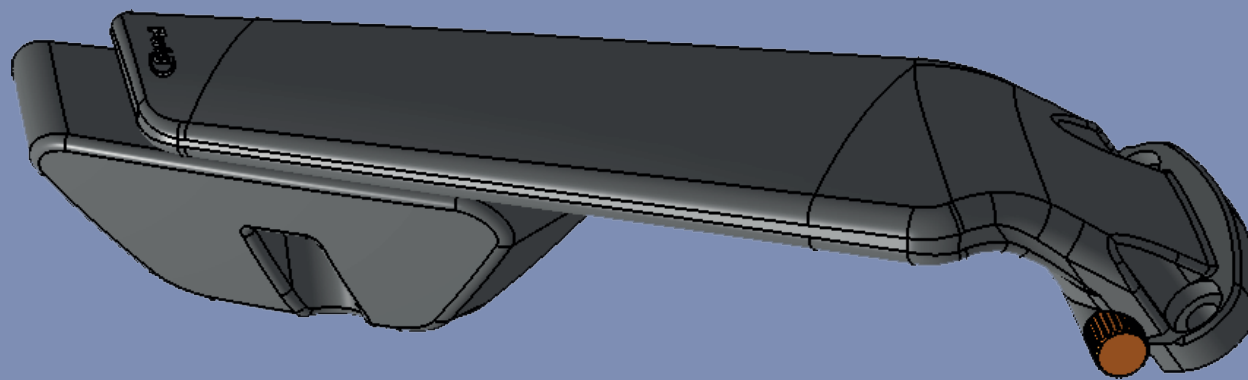


INSPIRACION/INSPIRATION

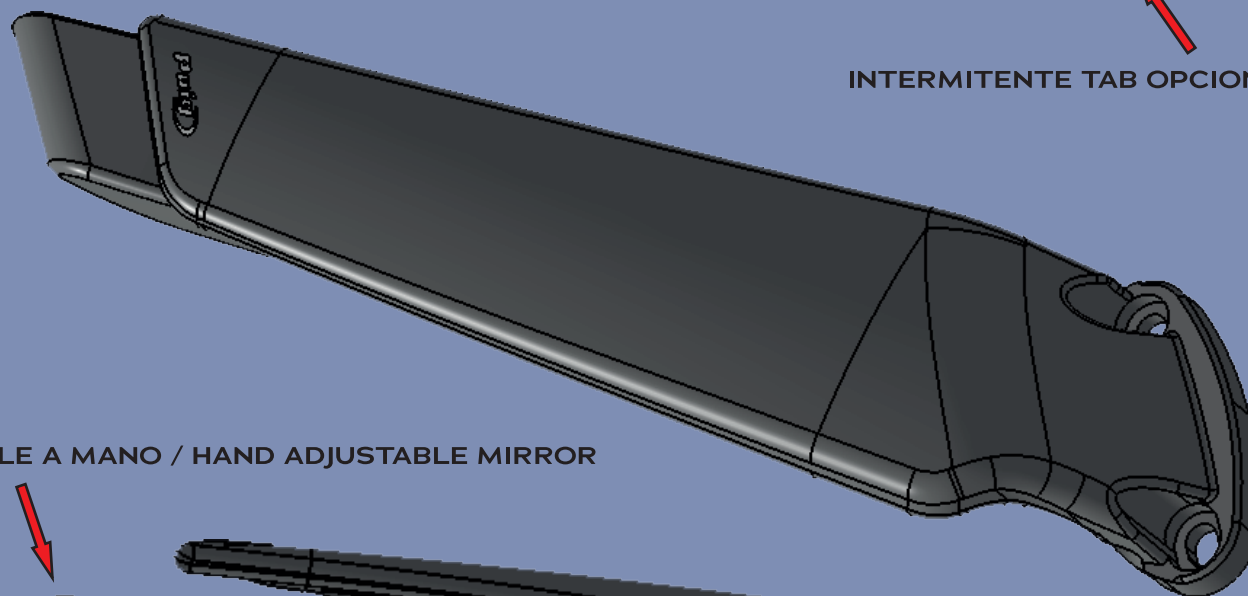


SCKETCHES

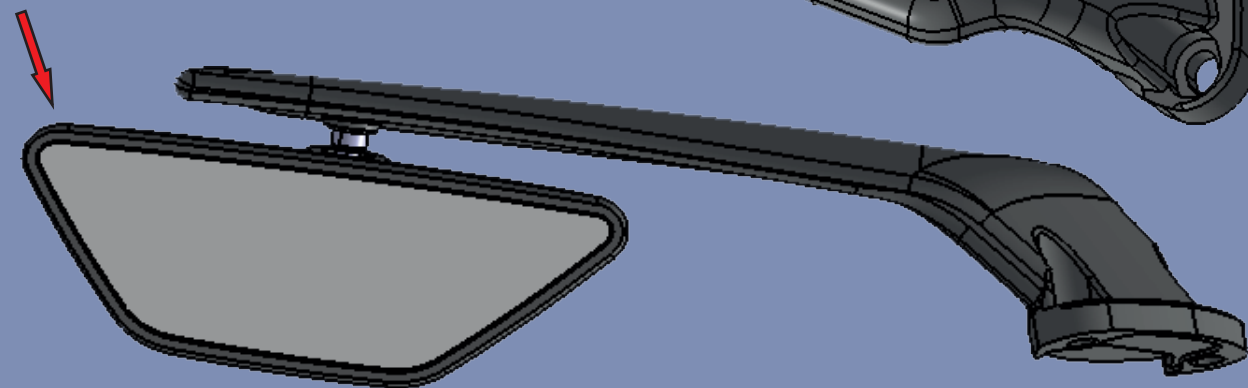




INTERMITENTE TAB OPCIONAL / OPTIONAL TURN LIGHT TAB

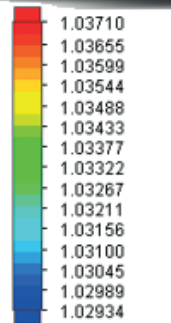
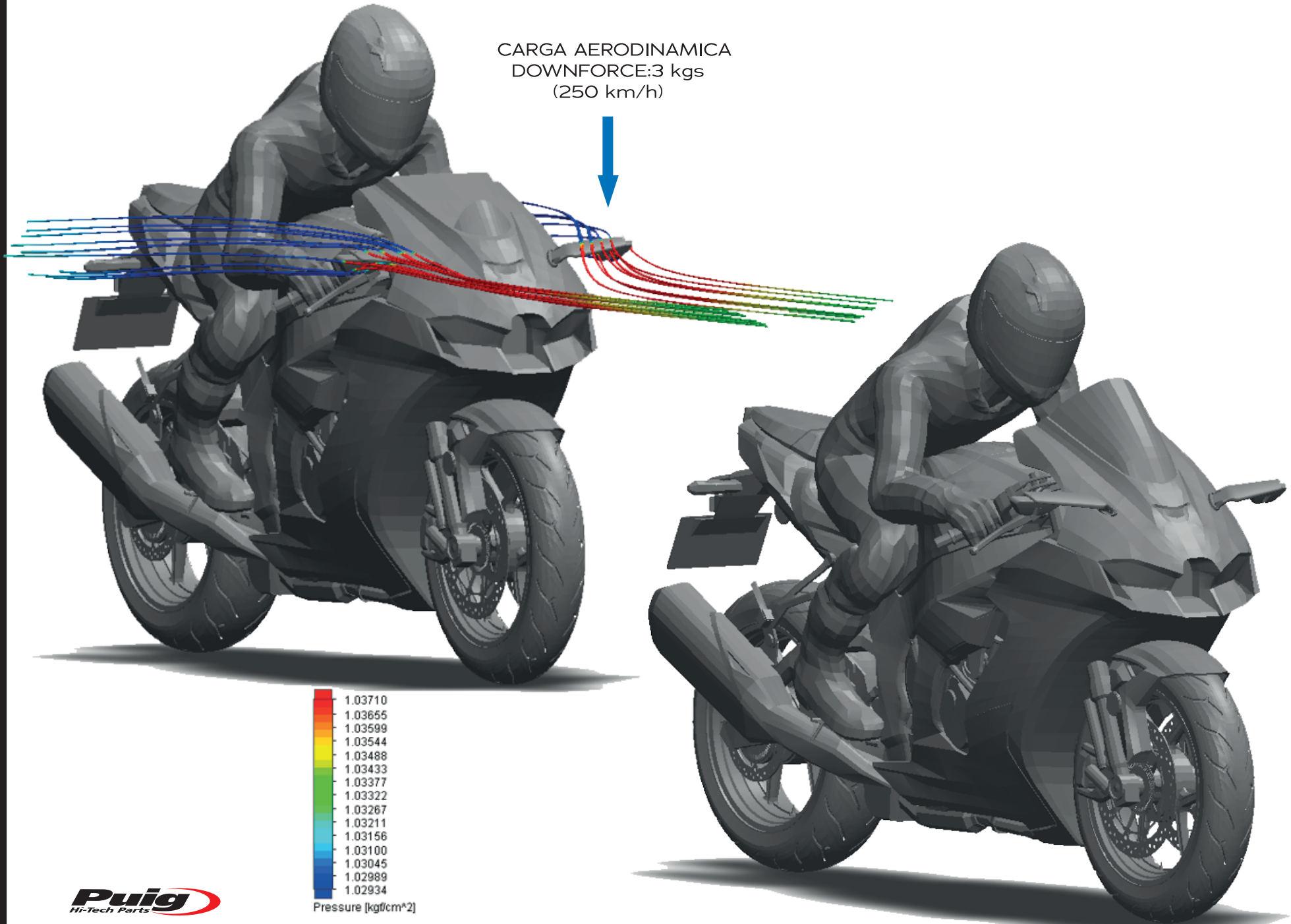


ESPEJO AJUSTABLE A MANO / HAND ADJUSTABLE MIRROR



PROBADO EN TUNEL DEL VIENTO VIRTUAL/TESTED ON VIRTUAL WIND TUNNEL

CARGA AERODINAMICA
DOWNFORCE: 3 kgs
(250 km/h)

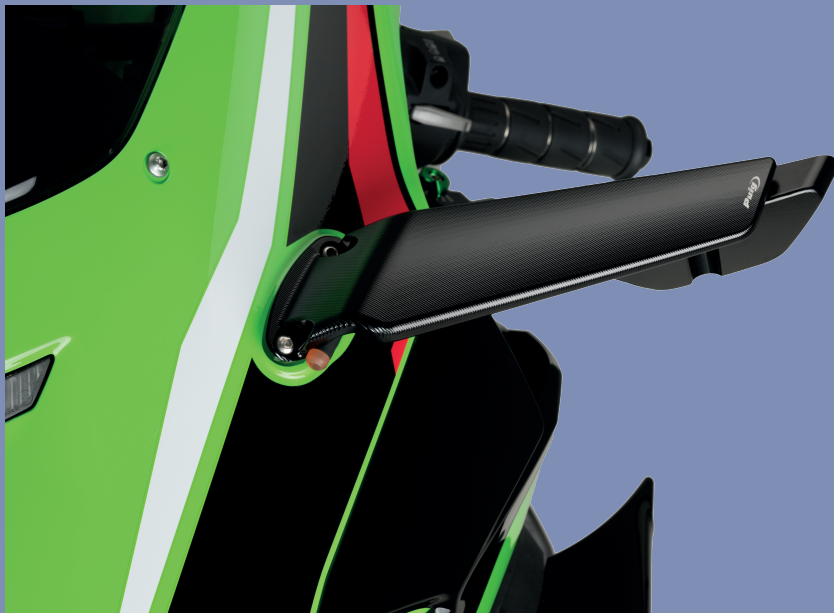


Pressure [kgf/cm²]

Flow Trajectories 1

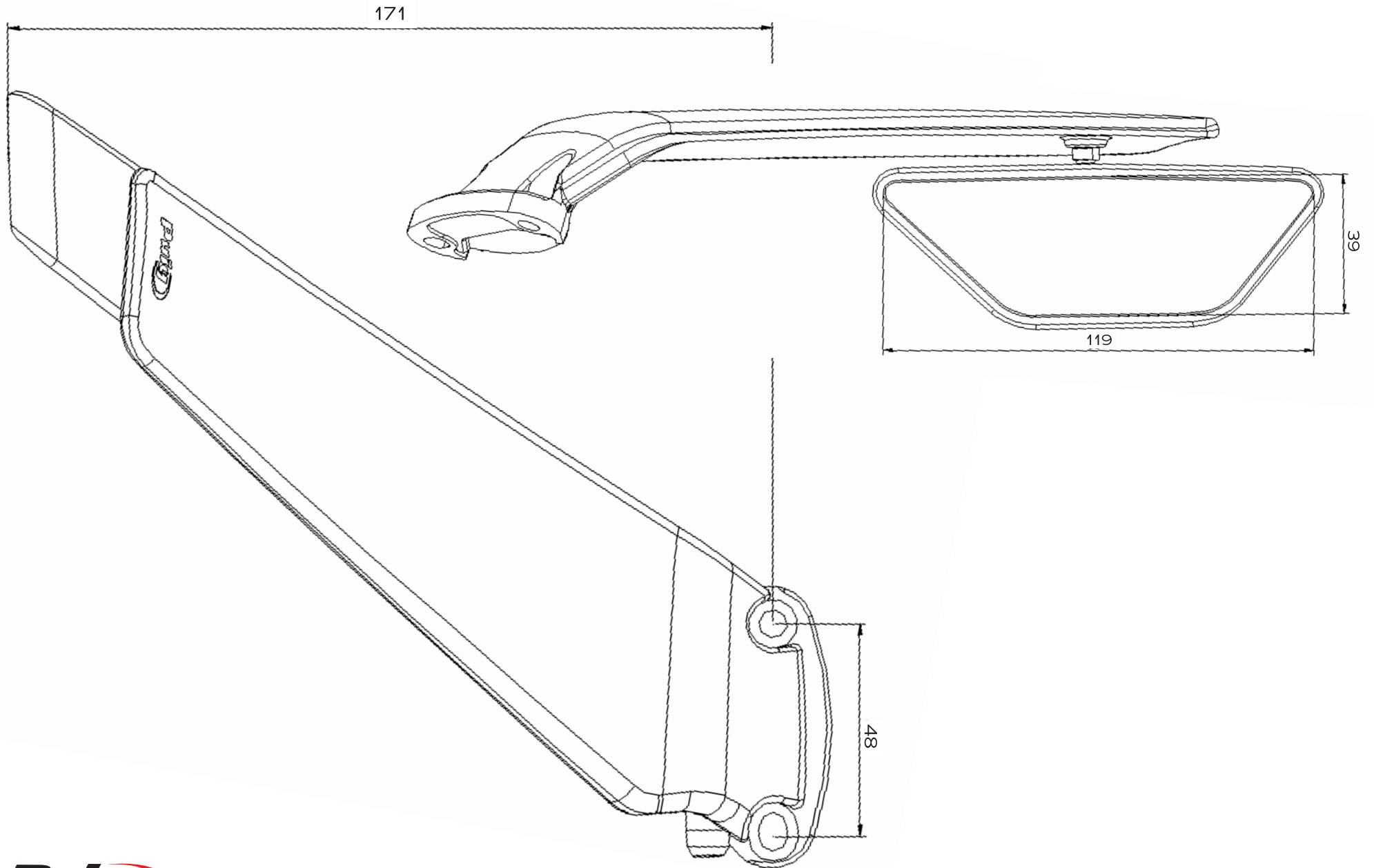


PROBADO EN CIRCUITO/TESTED ON RACE TRACK



Puig
Hi-Tech Parts

MEDIDAS/MEASURES





info@puig.tv
www.puig.tv

