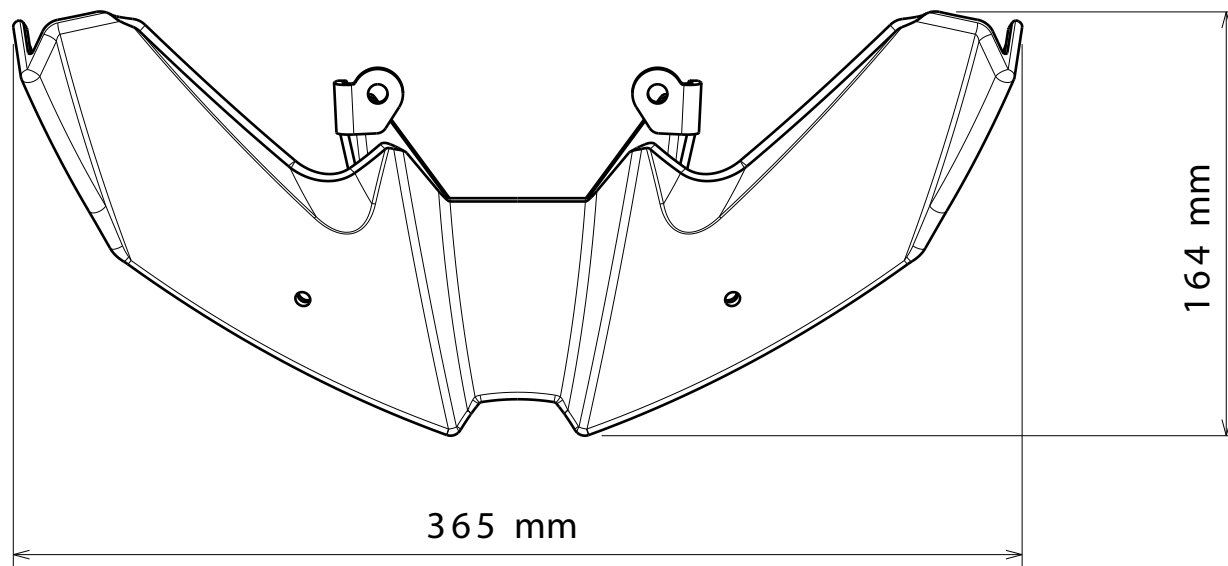


Top view



Left view

