

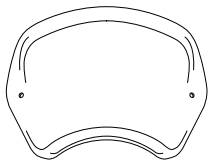
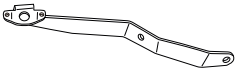
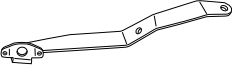








# HONDA CL500 '23-

## M O U N T I N G I N S T R U C T I O N S

REF 21635

PLACA FRONTAL DE ABS / ABS FRONT PLATE



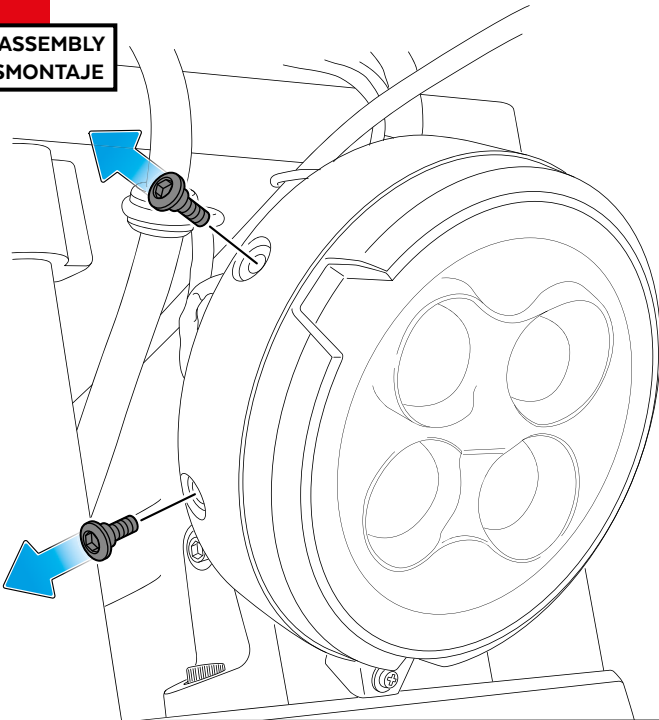
| ID | PIEZA/PART  | DESCRIPCIÓN                       | DESCRIPTION                    | QTY | REF             |
|----|---|-----------------------------------|--------------------------------|-----|-----------------|
| 1  |  | Placa frontal ABS                 | ABS front plate                | 1   | 10526C/JM3      |
| 2  |  | Soporte derecho (R)               | Right support (R)              | 1   | SOPOR2P7-R21635 |
| 3  |  | Soporte izquierdo (L)             | Left support (L)               | 1   | SOPOR2P7-R21635 |
| 4  |  | Tornillo Allen M5x20 Ø11 ISO 7380 | M5x20 Ø11 ISO 7380 Allen screw | 4   | TORNI-I7380-730 |
| 5  |  | Casquillo Ø8,5x Ø13x 9            | Ø8,5x Ø13x 9 arrowhead         | 4   | CASQUI-----777  |
| 6  |  | Silentblock M5                    | M5 silentblock                 | 2   | SILENBTM5-046/1 |
| 7  |  | Arandela de nylon M5x1            | M5x1 nylon washer              | 2   | ARNV00000000245 |
| 8  |  | Tornillo Allen M5x16 Ø11 ISO 7380 | M5x16 Ø11 ISO 7380 Allen screw | 2   | TORNI-I7380-493 |
| 9  |  | Tapón tornillo M5                 | M5 screw cap                   | 2   | TAPON-----85    |
| 10 |  | Tope de goma Ø3,7-3,8 x 3,2mm     | Ø3,7-3,8 x 3,2mm bumper foot   | 4   | TOPE--POF-40022 |
| 11 |  | Kit adhesivos                     | Stickers set                   | 1   | 10535           |

# HONDA CL500 '23-

INSTRUCCIONES DE MONTAJE - MOUNTING INSTRUCTIONS - MONTAGEANLEITUNG

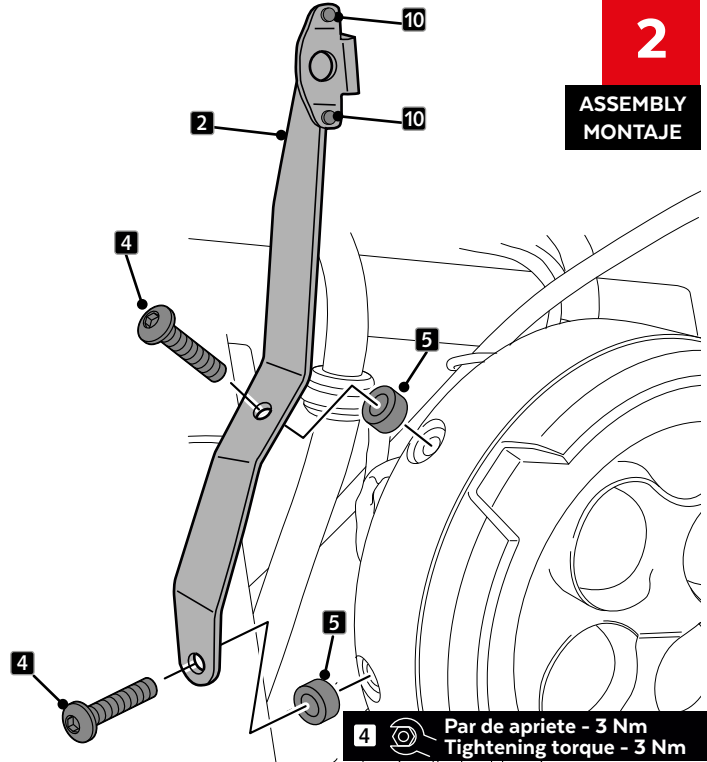
**1**

DISASSEMBLY  
DESMONTAJE



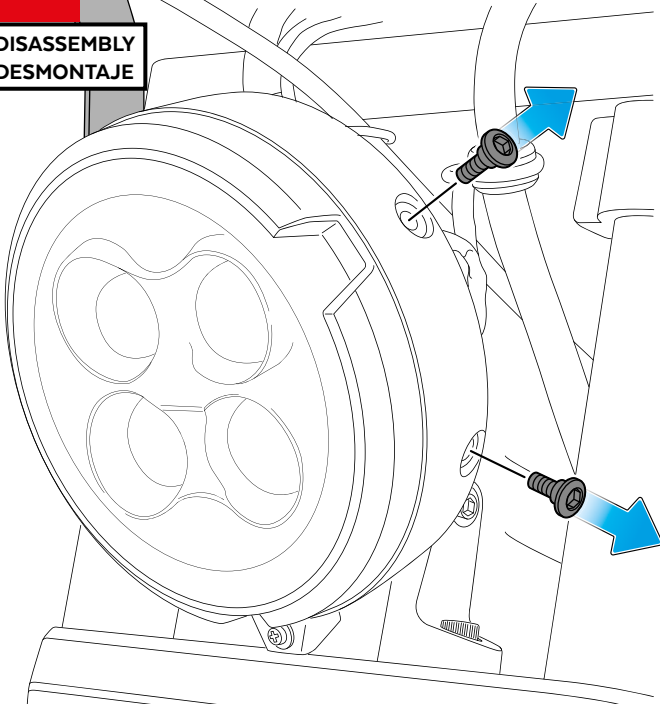
**2**

ASSEMBLY  
MONTAJE



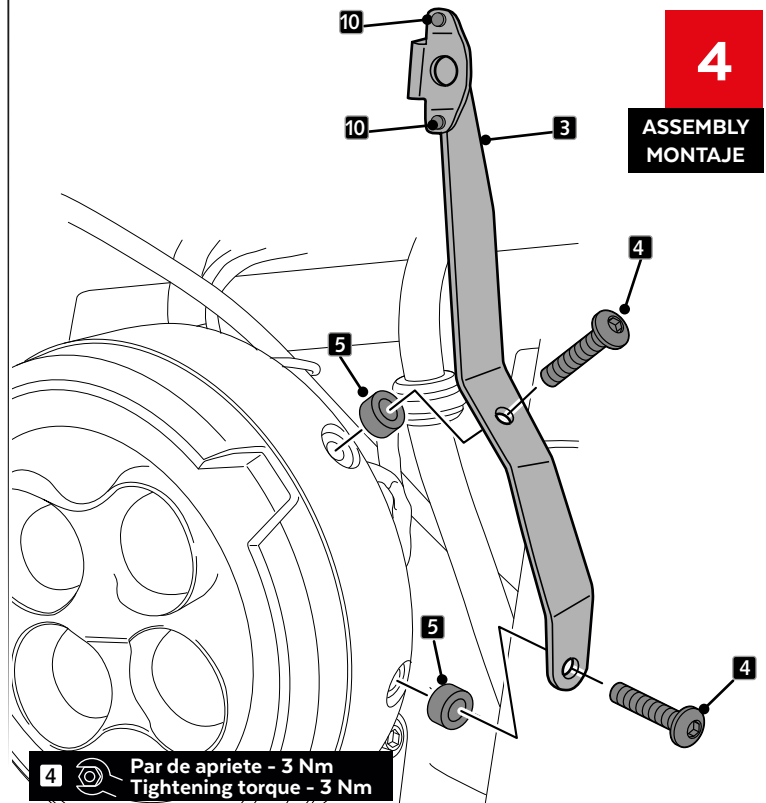
**3**

DISASSEMBLY  
DESMONTAJE



**4**

ASSEMBLY  
MONTAJE

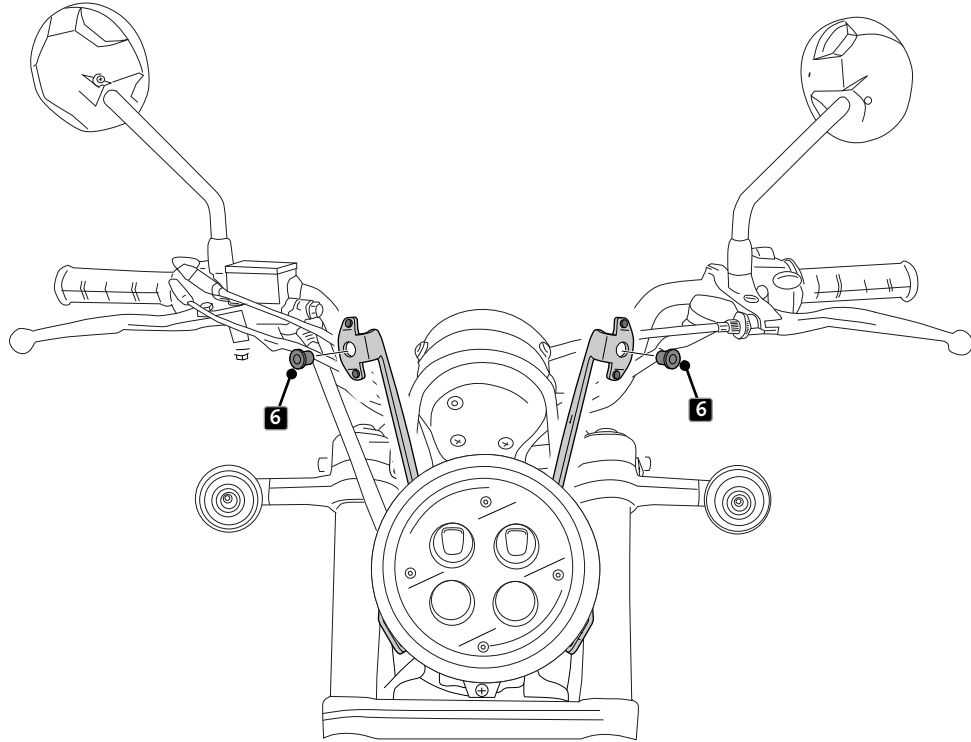


# HONDA CL500 '23-

INSTRUCCIONES DE MONTAJE - MOUNTING INSTRUCTIONS - MONTAGEANLEITUNG

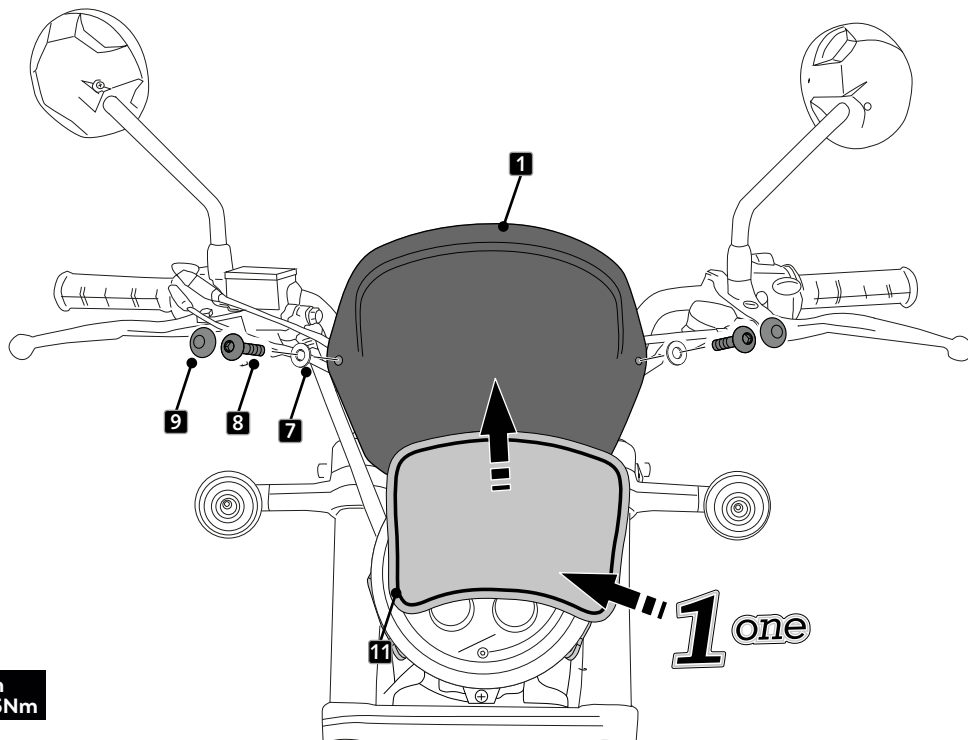
**5**

ASSEMBLY  
MONTAJE



**6**

ASSEMBLY  
MONTAJE



**8**

Par de apriete - 2,5 Nm  
Tightening torque - 2,5Nm