

HONDA CB750 HORNET '23- / CB500 HORNET '23- / CBR500R '19-

M O U N T I N G I N S T R U C T I O N S

REF 21705

REAR SEAT COWL - COLÍN

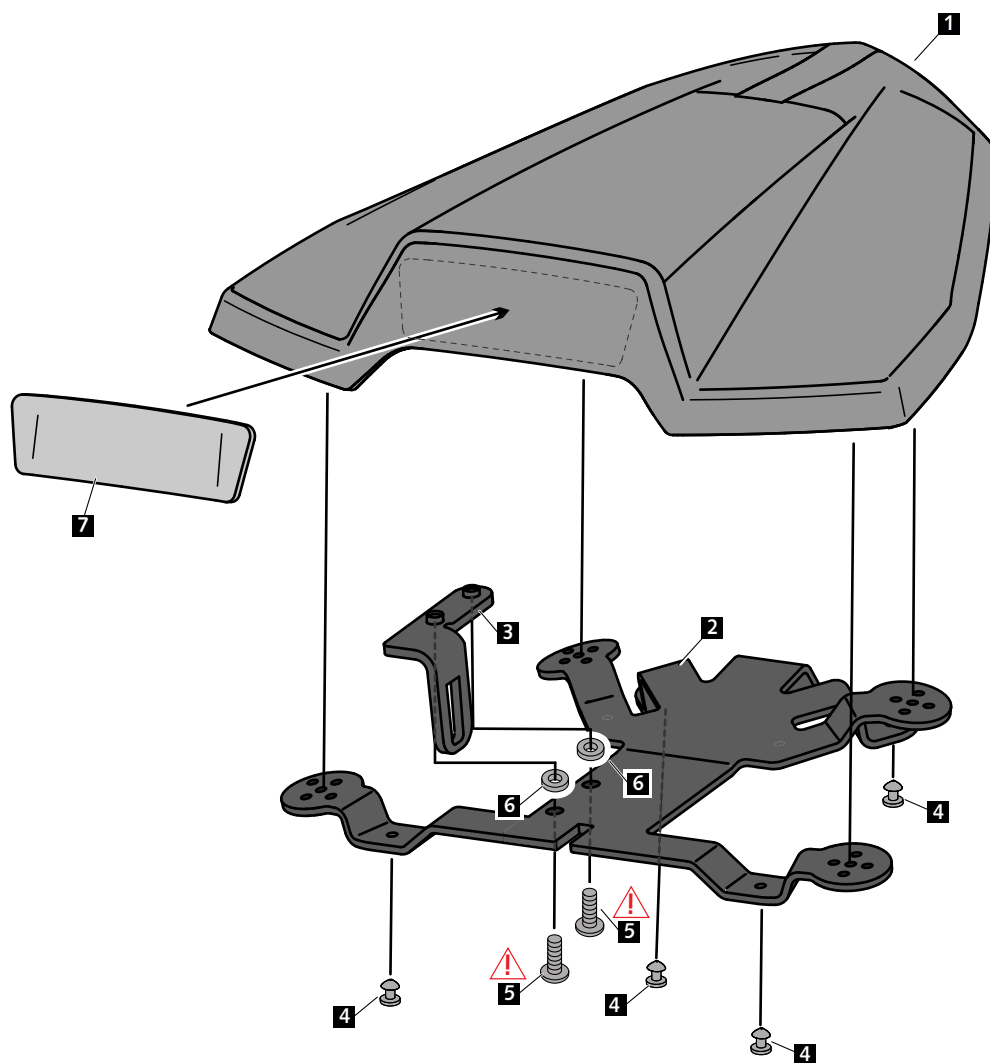


THE SAME INSTALLATION AS ORIGINAL PASSENGER'S SEAT

ID.	PIEZA/PART	DESCRIPCIÓN	DESCRIPTION	QTY.	REF.:
1		Colin (ABS)	Rear seat cowl (ABS)	1	21705J/CM3
2		Soporte aluminio	Aluminum support	1	SOPOR2P17-21705
3		soporte fijación	Fixing support	1	SOPOR2P17F21705
4		Tope de goma Ø3,7-3,8 x 3,2mm	Ø3,7-3,8 x 3,2mm bumper foot	4	TOPE--POF-40022
5		Tornillo Allen M5x16 Ø11 ISO 7380	M5x16 Ø11 ISO 7380 Allen screw	2	TORNI-I7380-493
6		Arandela de goma Ø4,5 x Ø14 x 4mm	Arandela de goma Ø4,5 x Ø14 x 4mm	2	ARAND-GD13D5X4-
7		Espuma	Foam	1	ESPUMA----21705

HONDA CB750 HORNET '23- / CB500 HORNET '23- / CBR500R '19-

INSTRUCCIONES DE MONTAJE - MOUNTING INSTRUCTIONS - MONTAGEANLEITUNG



Si tiene alguna dificultad al retirar la llave,
se recomienda apretar los tornillos ID5 1 o 2 vueltas.

If you have any difficulty removing the key,
it is recommended to tighten the ID5 screws 1 or 2 turns.