

YAMAHA YZF-R1 '20-

M O U N T I N G I N S T R U C T I O N S

VIDEO

REF 20523

ALERÓN FRONTAL GP / FRONT GP SPOILERS



1 Person



20 min



EASY



ALLEN

Nº 3
Nº 4

ID	PIEZA/PART	DESCRIPCIÓN	DESCRIPTION	QTY	REF
1		Soporte aluminio derecho	Right aluminium support	1	SOPOR2P6-R20523
2		Soporte alumnio izquierdo	Left alumniun support	1	SOPOR2P6-L20523
3		Pieza soporte alerón (Tamaño pequeño)	Spoiler support piece (small size)	2	KIT-I----20431
4		Alerón derecho	Right spoiler	1	10909N/H/AM3
5		Alerón izquierdo	Left spoiler	1	10909N/H/AM3
6		Tapón tornillo M5 ISO7380	M5 ISO7380 Screw cap	4	TAPON-----85
7		Tornillo M5x12 Ø11 ISO7380	M5x12 Ø11 ISO7380 Screw	4	TORNI-AI----520
8		Arandela de goma Ø4,5 x Ø11 x 2mm	Ø4,5 x Ø11 x 2mm Rubber washer	4	ARAND-EPDM--722
9		Espuma adhesiva protectora (15x10mm)	Adhesive protective foam (15x10mm)	8	ESPUMA-----264
10		Cinta adhesiva de doble cara (30x10mm)	Double-sided adhesive (30x10mm)	14	ADHESI-----263
11		Tope de goma Ø3,7-3,8 x 3,2mm	Ø3,7-3,8 X 3,2mm bumper foot	4	TOPE--POF-40022
12		Arandela de nylon M5	M5 nylon washer	4	ARNV0000000245
13		Tope adhesivo Ø7,5 x3mm	Ø7,5 x3mm Round adhesive bumper	2	TOPE-PA7'5DX3--
14		Lápiz AP111 Adhesion promoter	AP111 adhesion promoter Pen	1	KITNETEJA3M----

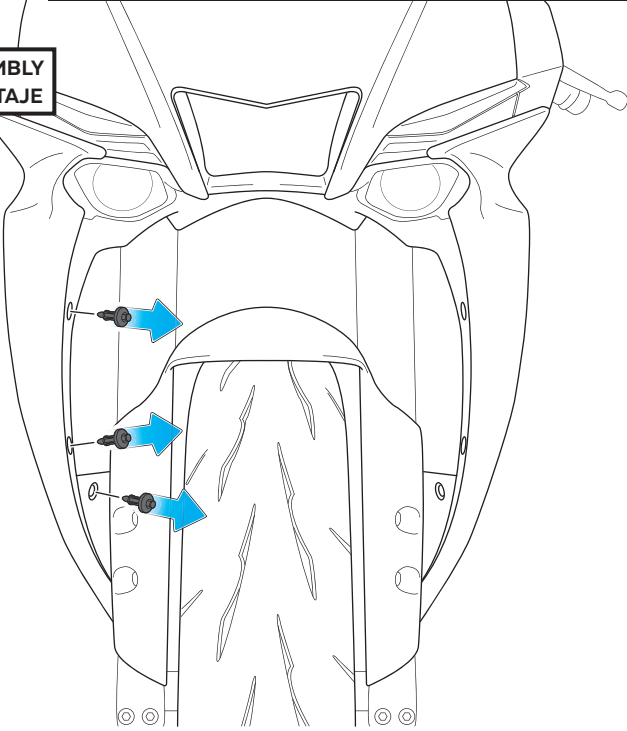
YAMAHA YZF-R1 '20-

INSTRUCCIONES DE MONTAJE - MOUNTING INSTRUCTIONS - MONTAGEANLEITUNG

1

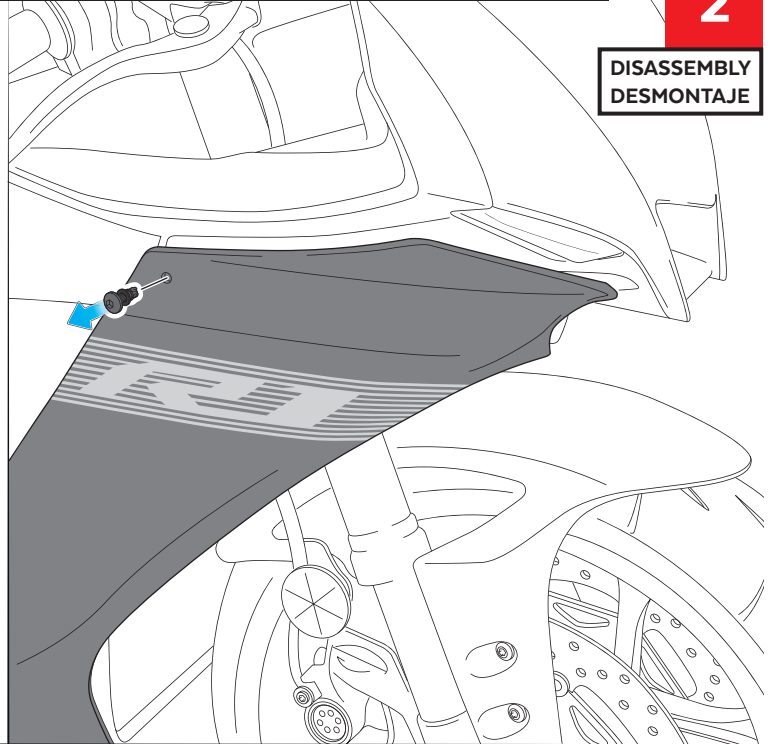
DISASSEMBLY
DESMONTAJE

Se muestra el montaje del lado derecho a modo de ejemplo, realizar los mismos pasos para el montaje del lado izquierdo.
The right side assembly is shown as an example, so the same steps can be performed for the left side assembly.



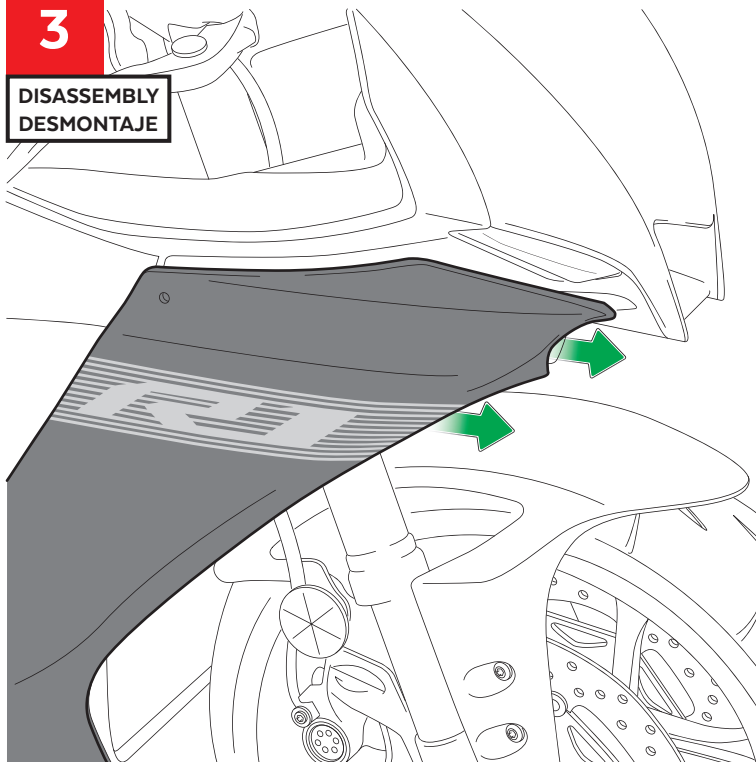
2

DISASSEMBLY
DESMONTAJE



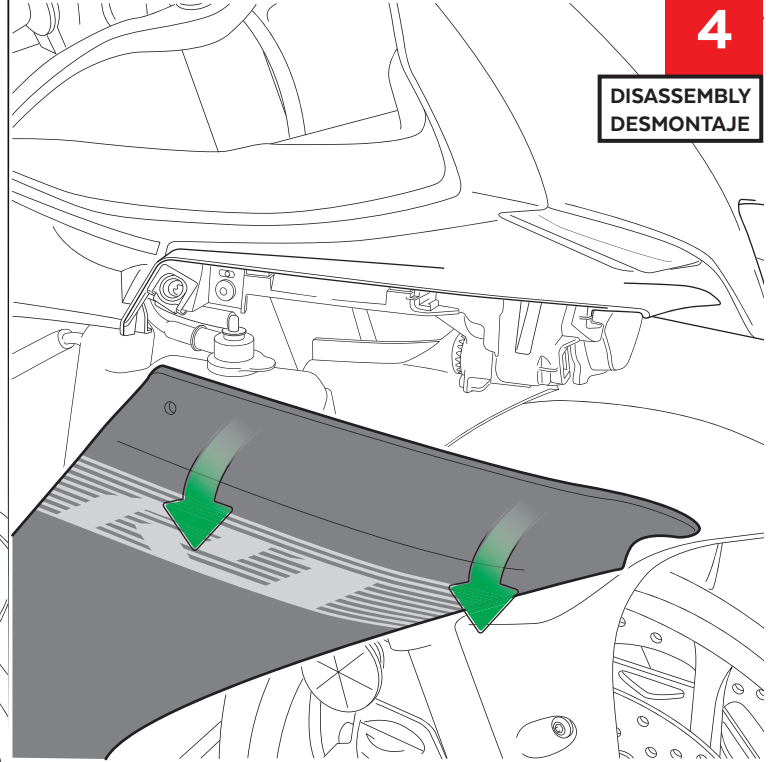
3

DISASSEMBLY
DESMONTAJE



4

DISASSEMBLY
DESMONTAJE

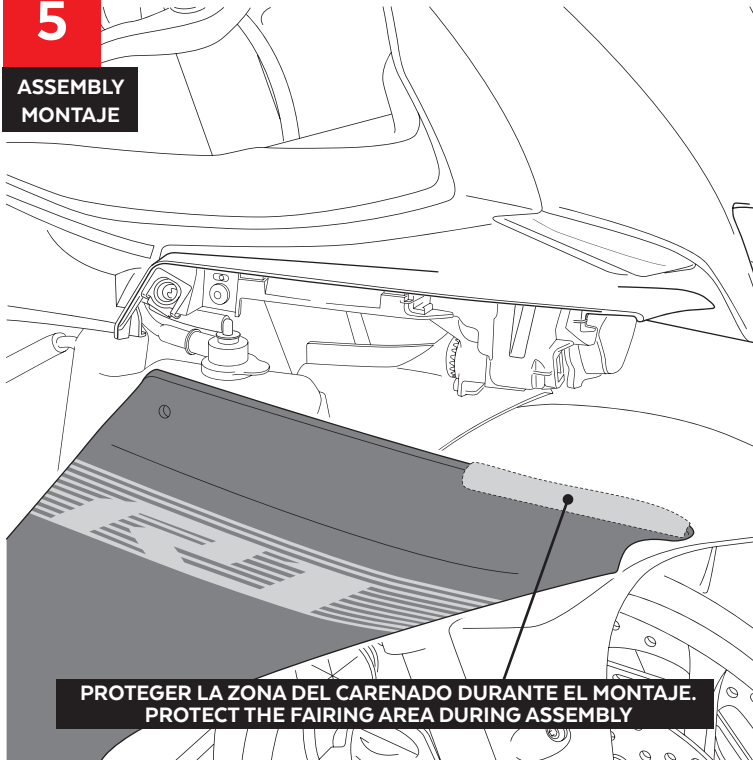


YAMAHA YZF-R1 '20-

INSTRUCCIONES DE MONTAJE - MOUNTING INSTRUCTIONS - MONTAGEANLEITUNG

5

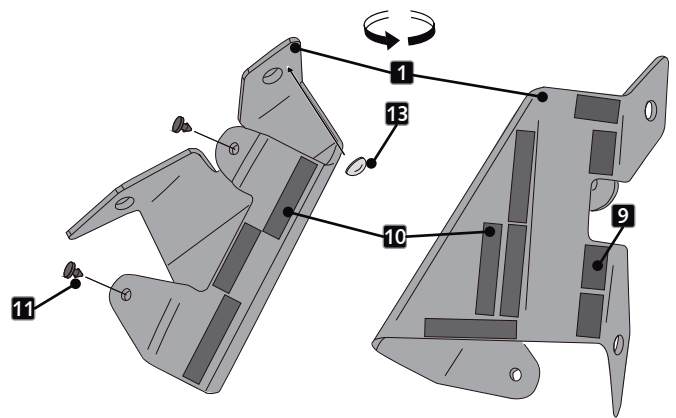
ASSEMBLY
MONTAJE



6

ASSEMBLY
MONTAJE

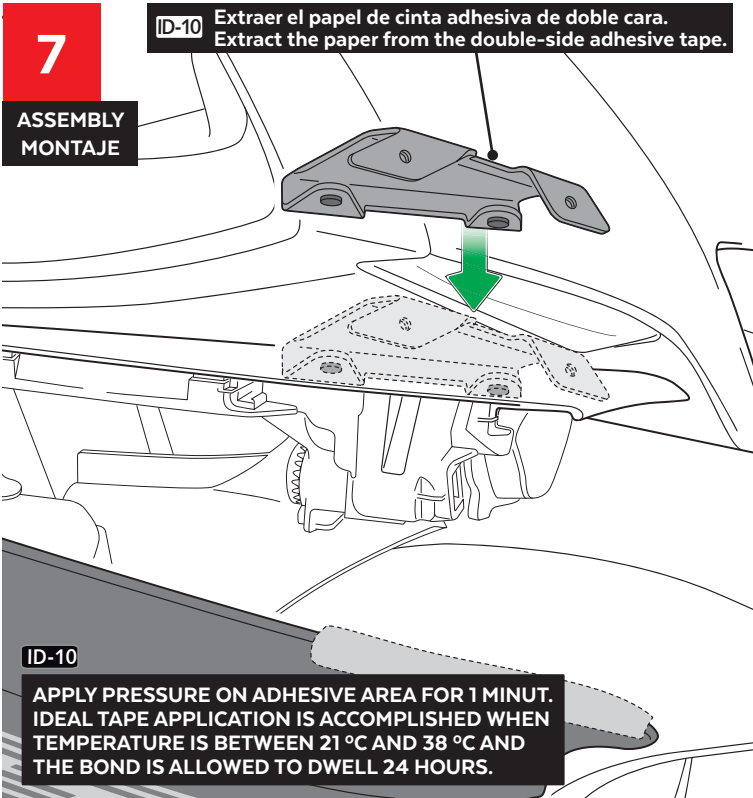
Right support (R) / Soporte derecho (R)



7

ASSEMBLY
MONTAJE

ID-10 Extraer el papel de cinta adhesiva de doble cara.
Extract the paper from the double-side adhesive tape.

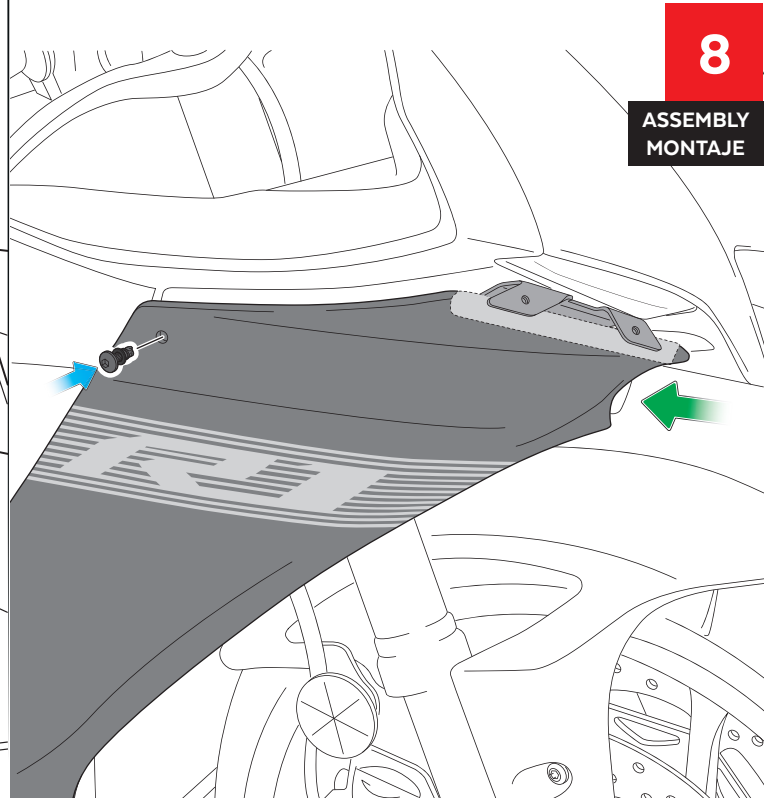


ID-10

APPLY PRESSURE ON ADHESIVE AREA FOR 1 MINUT.
IDEAL TAPE APPLICATION IS ACCOMPLISHED WHEN
TEMPERATURE IS BETWEEN 21 °C AND 38 °C AND
THE BOND IS ALLOWED TO DWELL 24 HOURS.

8

ASSEMBLY
MONTAJE

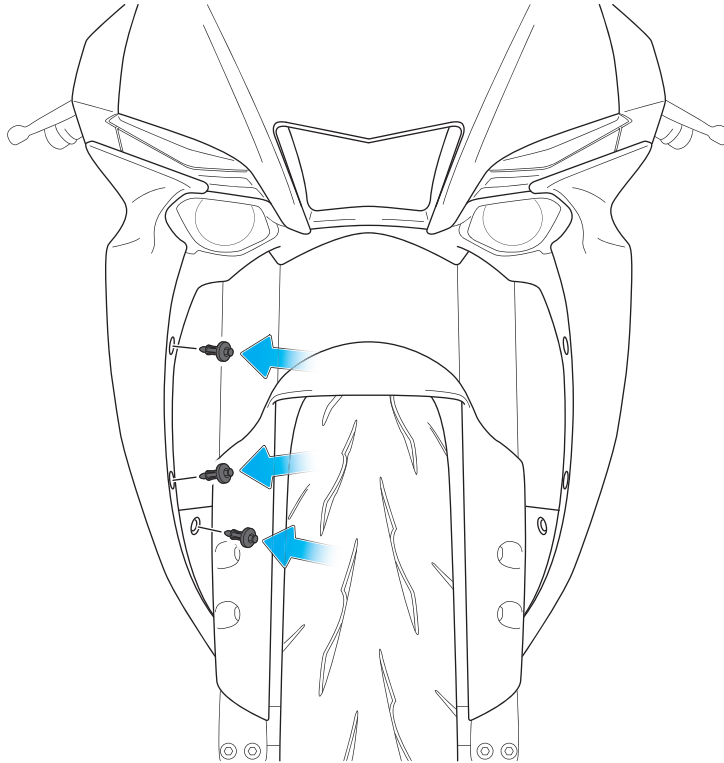


YAMAHA YZF-R1 '20-

INSTRUCCIONES DE MONTAJE - MOUNTING INSTRUCTIONS - MONTAGEANLEITUNG

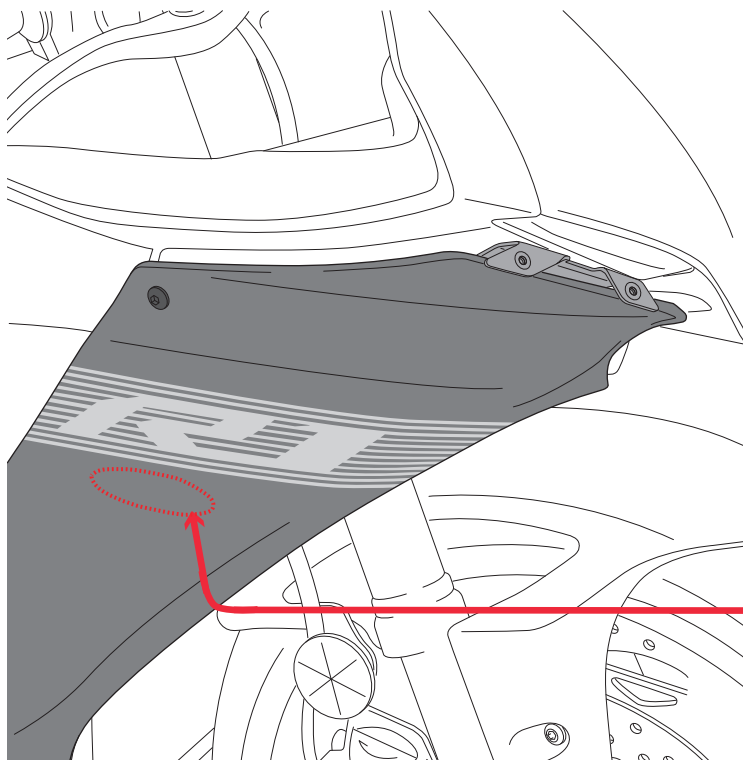
9

ASSEMBLY
MONTAJE



10

ASSEMBLY
MONTAJE



14
PRESS HARD THE PEN ID14
UNTIL THE GLASS INSIDE
BREAKS AND
THE FLUID FLOWS



APPLY THE PEN
ONLY ON SPOILER
SUPPORT PIECE
AREA.

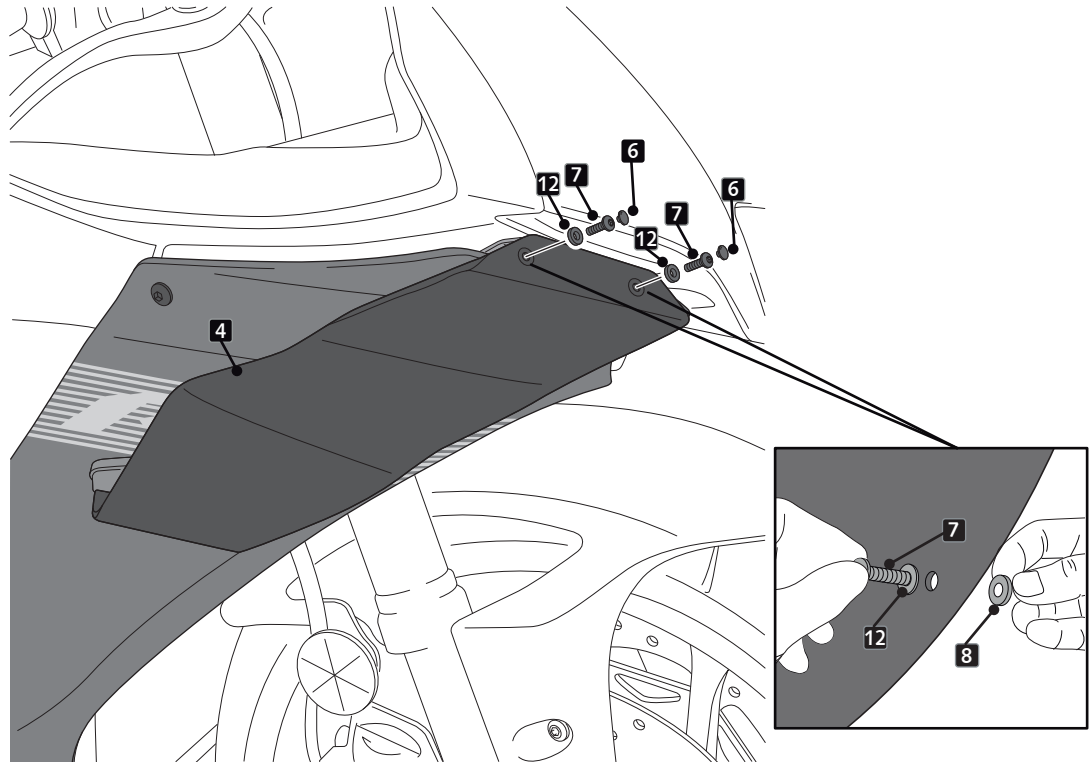
CHECK IS COMPLETELY DRY
BEFORE START.

YAMAHA YZF-R1 '20-

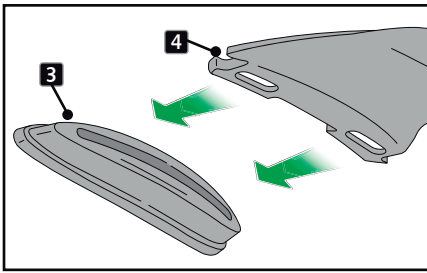
INSTRUCCIONES DE MONTAJE - MOUNTING INSTRUCTIONS - MONTAGEANLEITUNG

11

ASSEMBLY
MONTAJE

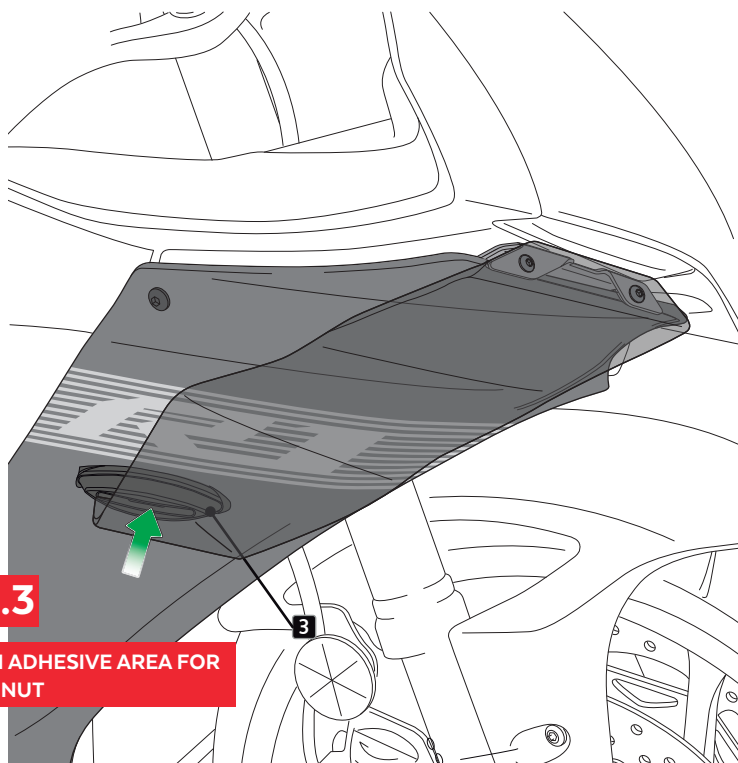


STEP 1. PRE-ASSEMBLY



12

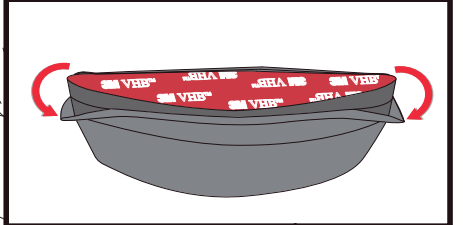
ASSEMBLY
MONTAJE



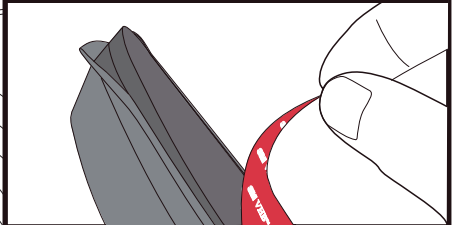
12.3

APPLY PRESSURE ON ADHESIVE AREA FOR
1 MINUT

12.1 DOBLAR LOS EXTREMOS DE LA PIEZA
FOLD THE ENDS OF THE PIECE



12.2 EXTRAER PAPEL DEL ADHESIVO 3M
REMOVE PAPER FROM 3M ADHESIVE



YAMAHA YZF-R1 '20-

INSTRUCCIONES DE MONTAJE - MOUNTING INSTRUCTIONS - MONTAGEANLEITUNG

13

ASSEMBLY
MONTAJE

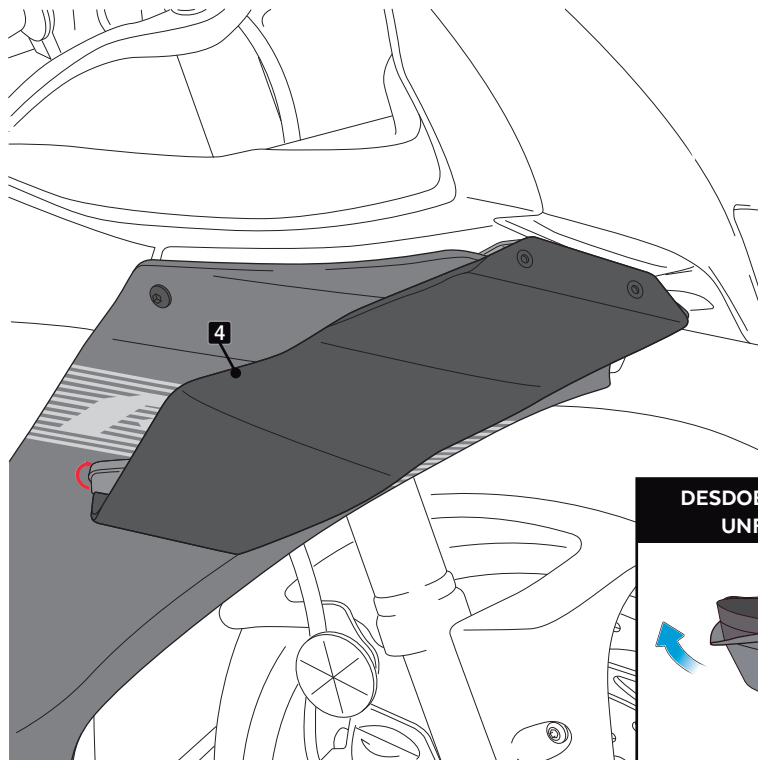
WAIT 24 HOURS



CHECK THE CORRECT ADHESION
OF THE 3M DOUBLE SIDE
SELF-ADHESIVE TAPE
TO THE FAIRING. ENSURE THAT
THE ENTIRE SURFACE
IS WELL ADHERED

14

ASSEMBLY
MONTAJE



DESDOBLAR LOS EXTREMOS DE LA PIEZA
UNFOLD THE ENDS OF THE PIECE

