

HONDA XL750 TRANSALP '23-

M O U N T I N G I N S T R U C T I O N S

REF 21835

OIL CARTER GUARD



1 Person



30 min



EASY



ALLEN

Nº 3
Nº 4
Nº 5
Nº 6



NOT COMPATIBLE WITH CENTRAL STAND

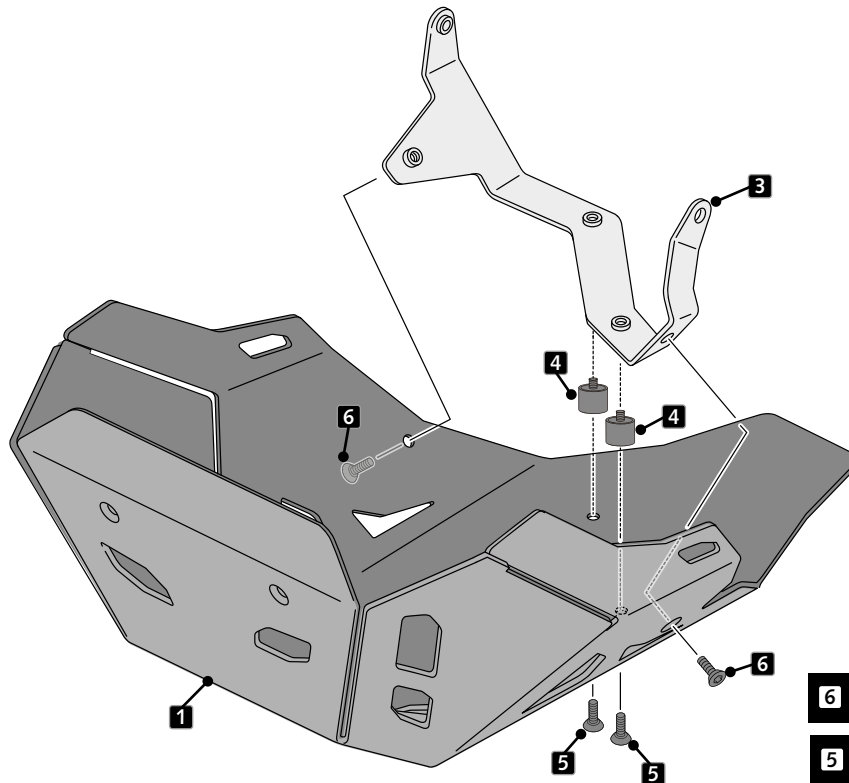
ID	PIEZA/PART	DESCRIPCIÓN	DESCRIPTION	QTY	REF
1		Protector de aluminio	Aluminum protection plate	1	SOPOR3P4PN21835
2		Soporte metálico delantero	Metal front support	1	SOPOR3P4DN21835
3		Soporte metálico trasero	Metal Rear support	1	SOPOR3P4TN21835
4		Amortiguador antivibratorio silentblock Ø20x10 (M6x18, int M6x6)	Anti vibration damper silentblock Ø20x10 (M6x18, int M6x6)	2	SILENTBLOCK-523
5		Tornillo M6 x8 DIN7991	M6 x8 DIN7991 Screw	2	TORNI-D7991-918
6		Tornillo M8x12 DIN7991	M8x12 DIN7991 Screw	4	TORNI-D7991-899
7		Tornillo M8x20 DIN912	M8x20 DIN912 Screw	2	TORNI-D912--164
8		Tornillo M8x30 DIN912	M8x30 DIN912 Screw	2	TORNI-D912--575
9		Casquillo Ø8,5x Ø13x 9	Ø8,5x Ø13x 9 arrowhead	2	CASQUI-----777
10		Arandela M8 DIN125	M8 DIN125 washer	4	ARANDPD125-018

HONDA XL750 TRANSALP '23-

INSTRUCCIONES DE MONTAJE - MOUNTING INSTRUCTIONS - MONTAGEANLEITUNG

1

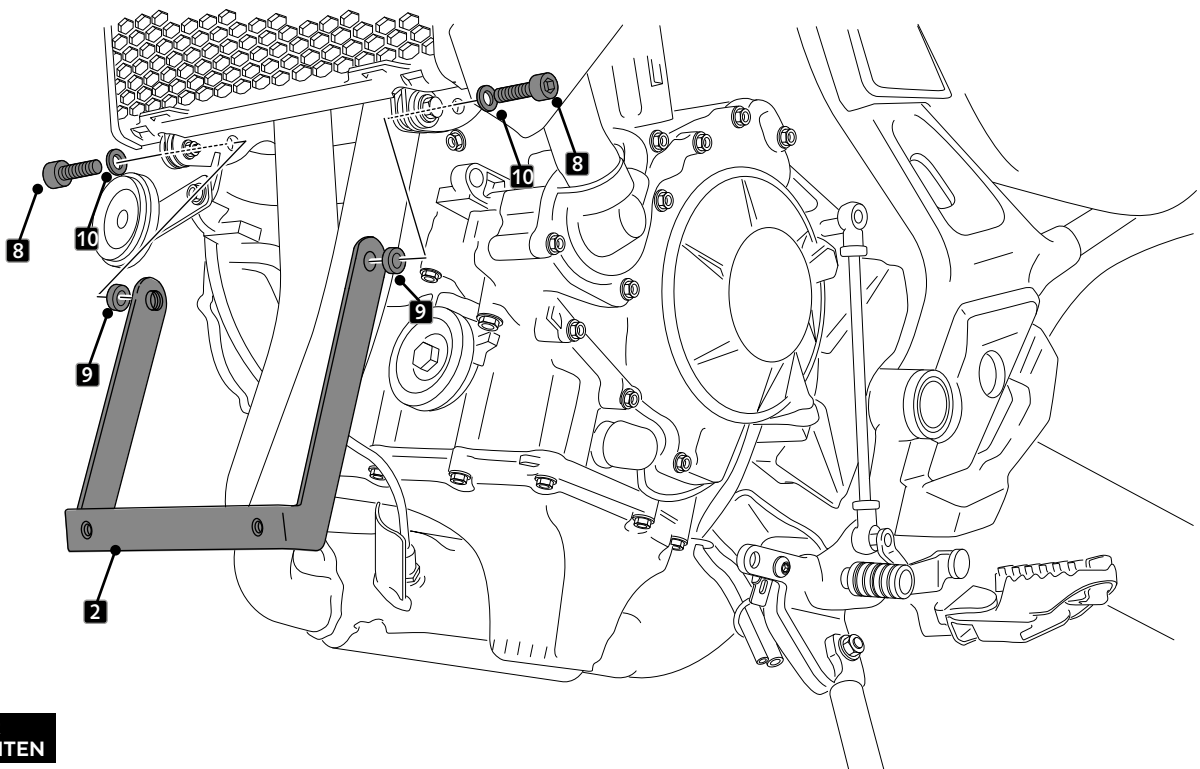
ASSEMBLY
MONTAJE



2

ASSEMBLY
MONTAJE

LEFT SIDE



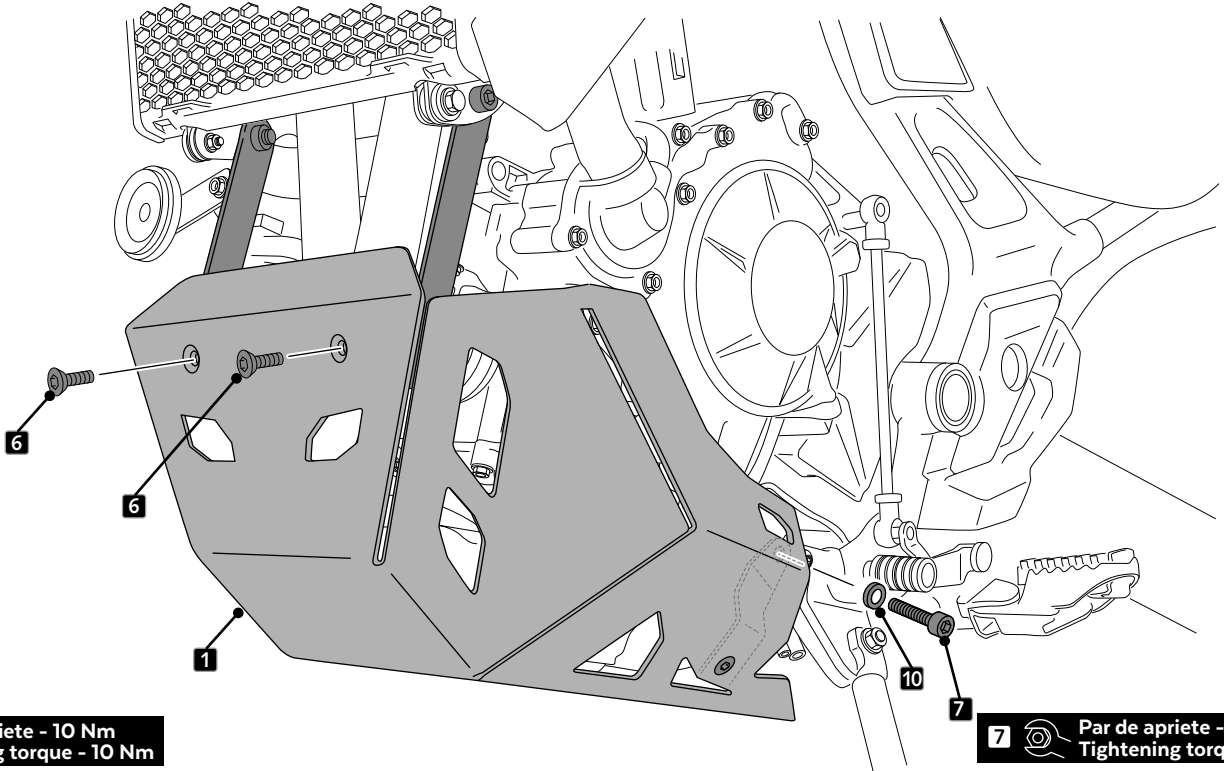
HONDA XL750 TRANSALP '23-

INSTRUCCIONES DE MONTAJE - MOUNTING INSTRUCTIONS - MONTAGEANLEITUNG

3

ASSEMBLY
MONTAJE

LEFT SIDE



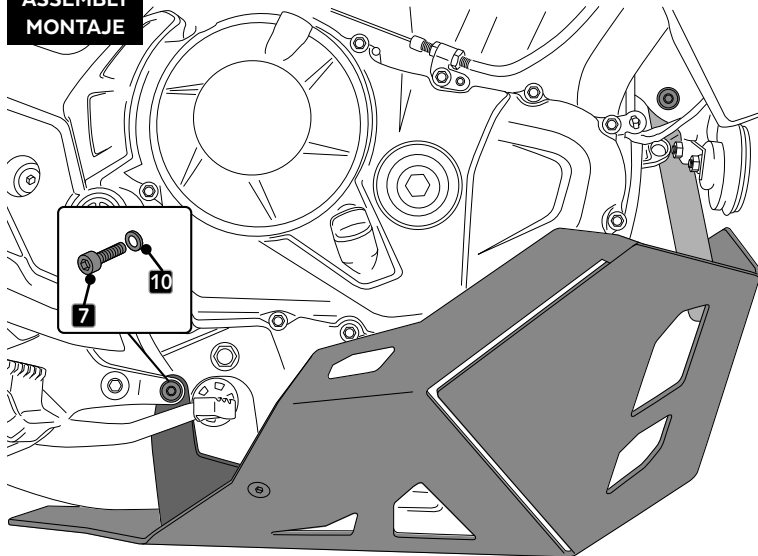
6 Par de apriete - 10 Nm
Tightening torque - 10 Nm

7 Par de apriete - 20 Nm
Tightening torque - 20Nm

4

RIGHT SIDE

ASSEMBLY
MONTAJE

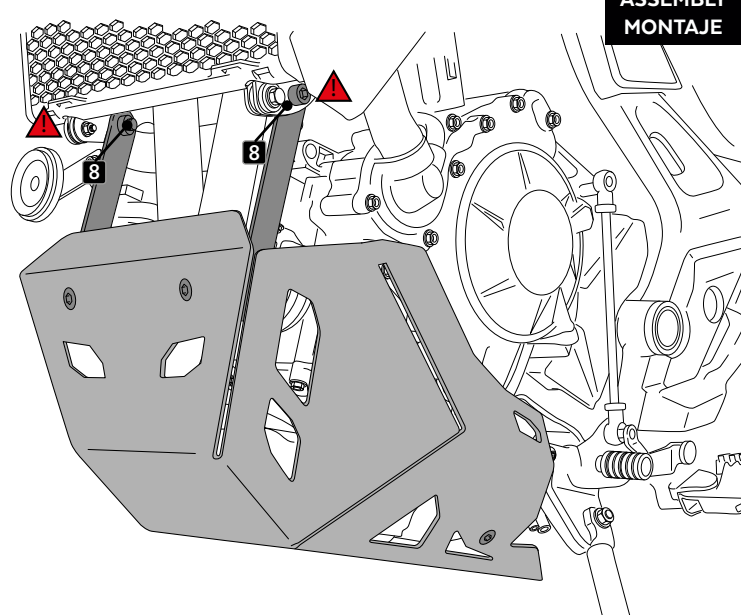


7 Par de apriete - 20 Nm
Tightening torque - 20 Nm

LEFT SIDE

5

ASSEMBLY
MONTAJE



8 Par de apriete - 20 Nm
Tightening torque - 20Nm