

HONDA CB125F '15 -

M O U N T I N G I N S T R U C T I O N S

REF 7726

WINDSHIELD NEW GENERATION / CARENABRÍS NEW GENERATION



HONDA CB125F 2015-2020



HONDA CB125F 2021

ALLEN

Nº 5
Nº 4



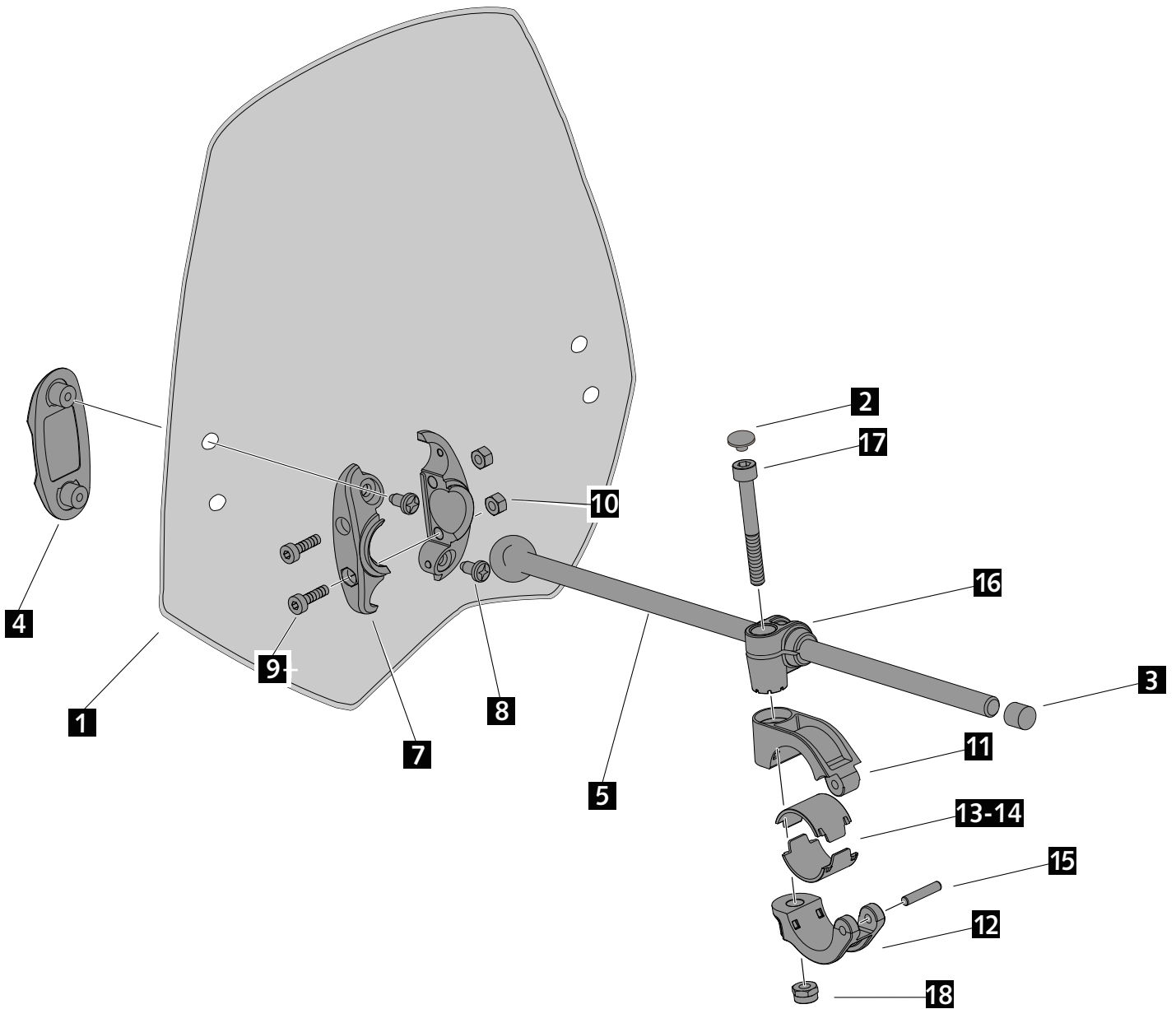
ID	PIEZA/PART	DESCRIPCIÓN	DESCRIPTION	QTY	REF
1		Cúpula	Screen	1	9376H/W/F/NM3
2		Tapón tornillo M8 DIN912	M8 DIN912 screw cap	2	TAPA--CHC11450E
3		Tapón de plástico	Plastic cap	2	TOPEE-VPGT--8/4
4		Tapa de plástico	Plastic cover	2	CONJU-S3PCC-003
5		Varilla Ø9 x 200	Ø9x200 Bar	2	VARIL19X200-591
6		Brida rotula L	L ball joint bridge	2	BRIROT01-1-PR16
7		Brida rotula R	R ball joint bridge	2	BRIROT02-1-PR16
8		Tornillo Philips 5x10mm	Ø5x10mm Philips screw	4	TORNIP510---233
9		Din912 M5x20 inox	M5x20 DIN912 Allen screw	4	TORNI-D912--748
10		Tuerca autoblocante M5 DIN982 INOX	M5 DIN982 self-locking nut	4	TUERCA-D982-746
11		Semi-brida corta	Short semi-bridge	2	BRIDAANT-0-PR16
12		Semi-brida larga	Large semi-bridge	2	BRIDAPOS-0-PR16
13		Casquillo semi-brida para aplicar al manillar de Ø26	Semi.-bridge arrowhead applicate the handlebar Ø26	2	CAS29-22-0-PR16
14		Casquillo semi-brida para aplicar al manillar de Ø22	Semi.-bridge arrowhead applicate the handlebar Ø22	2	CAS29-26-0-PR16
15		Pasador cilíndrico Ø4x20mm	Ø4x20mm cross dowel pin	2	VARIL14X20--576
16		Brida varilla	Dispstick bridge	2	FIXVARLL-0-PR16
17		Tornillo Allen M8x55 DIN912	M8x55 DIN912 Allen screw	2	TORNI-AD912--631
18		Tuerca M8 autoblocante	M8 self-locking nut	2	TUEA-D985.8-M8-

HONDA CB125F '15 -

INSTRUCCIONES DE MONTAJE - MOUNTING INSTRUCTIONS - MONTAGEANLEITUNG

1

ASSEMBLY
MONTAJE



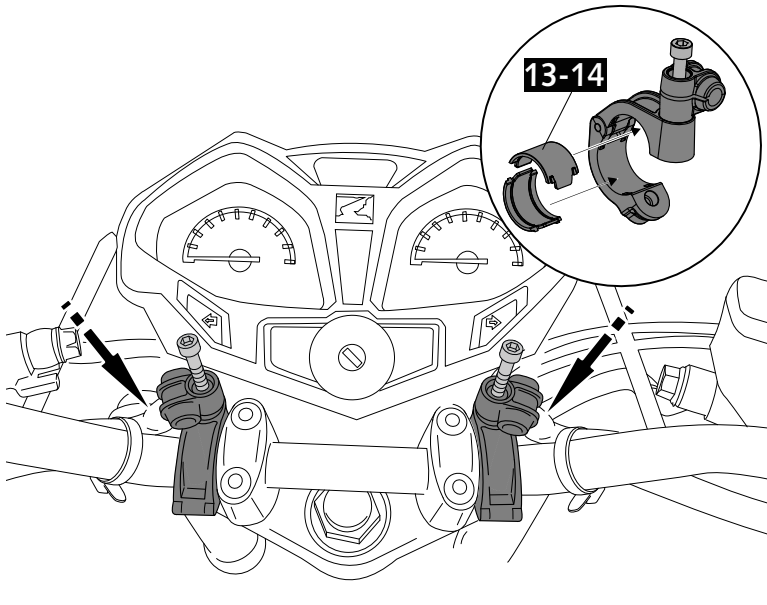
HONDA CB125F '15 -

INSTRUCCIONES DE MONTAJE - MOUNTING INSTRUCTIONS - MONTAGEANLEITUNG

2A

ASSEMBLY ONLY FOR HONDA
CB125F 2015-2020

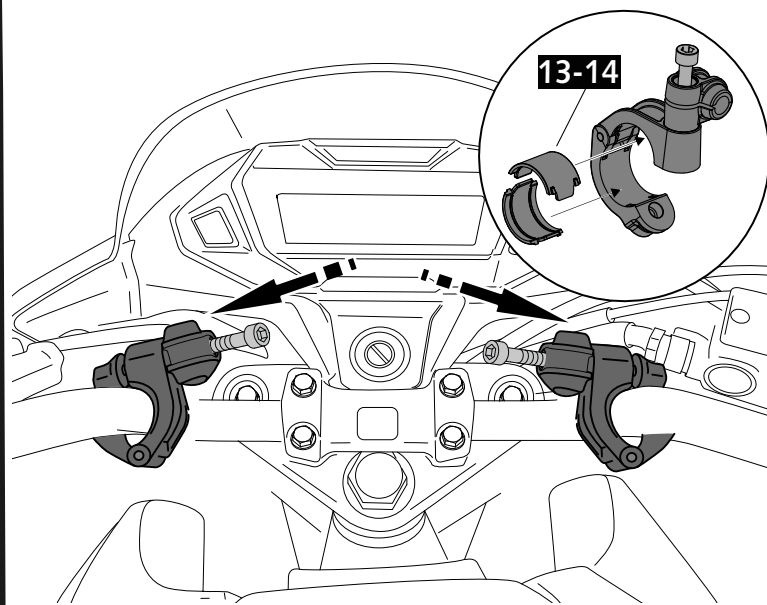
ASSEMBLY
MONTAJE



ASSEMBLY ONLY FOR HONDA
CB125F 2021

2B

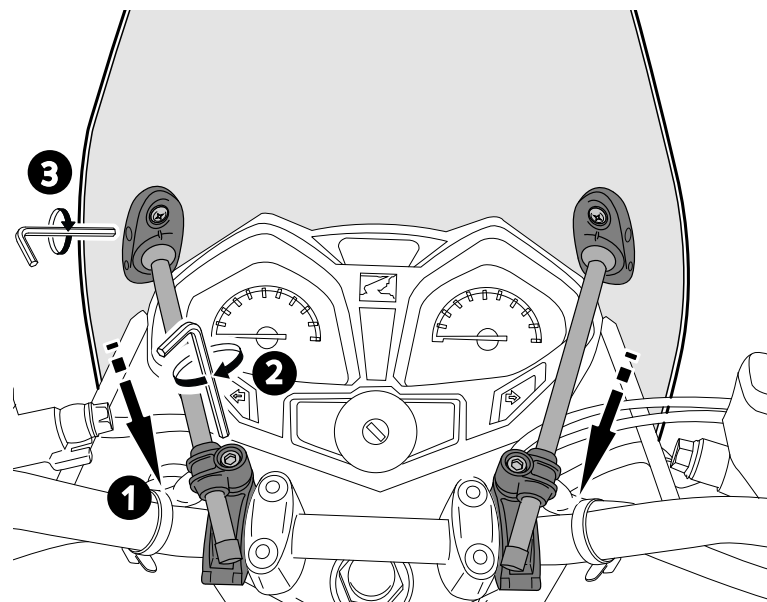
ASSEMBLY
MONTAJE



3A

ASSEMBLY ONLY FOR HONDA
CB125F 2015-2020

ASSEMBLY
MONTAJE



ASSEMBLY ONLY FOR HONDA
CB125F 2021

3B

ASSEMBLY
MONTAJE

