

MOTOPLASTIC, S.A.

Molí de la sal, 1 - 08403 Granollers (Barcelona) SPAIN

Tel. 34 93 849 06 33 - Fax 34 93 849 09 88

info@puig.tv - info@puigusa.com

www.puig.tv - www.puigusa.com

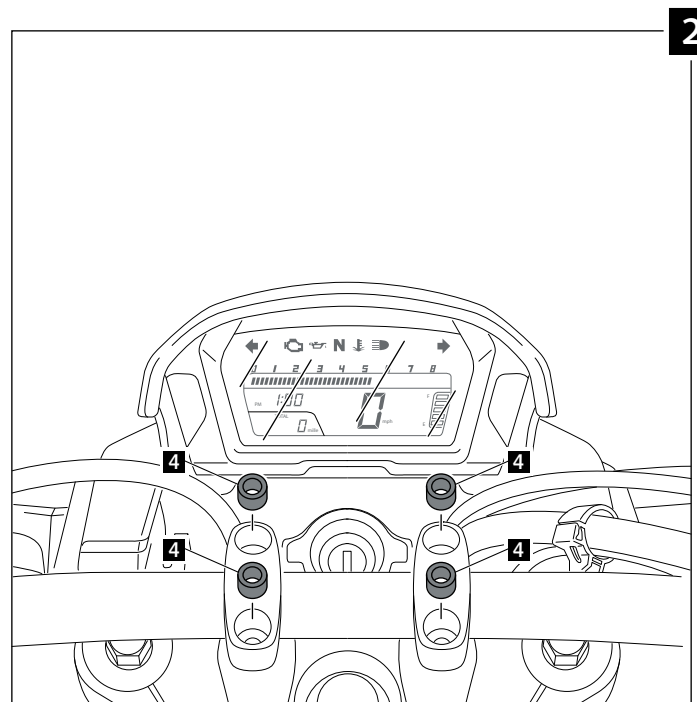
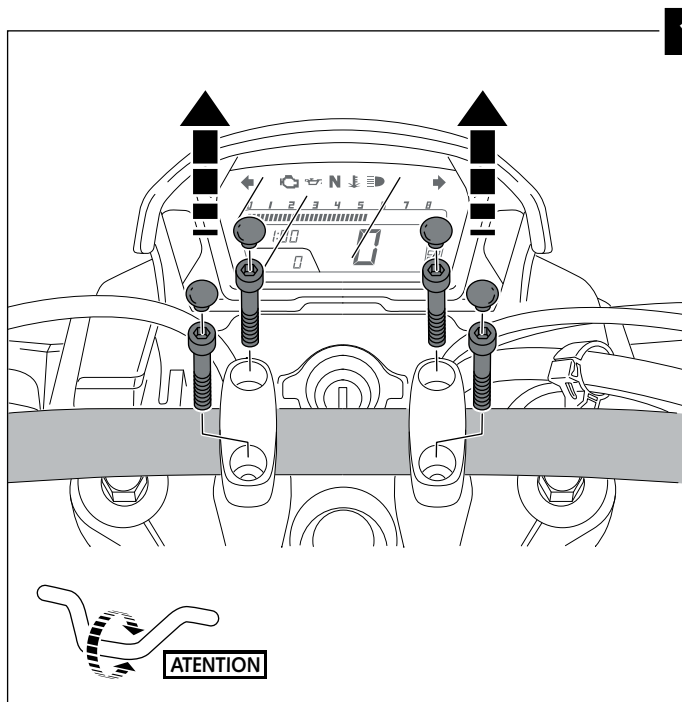
Ref.: 7009

## INSTRUCCIONES DE MONTAJE - MOUNTING INSTRUCTIONS - MONTAGEANLEITUNG

### CARENABRÍS ADAPTABLE A - WINDSHIELD FOR - SCHEIBE FÜR HONDA CTX700N

| ID. | PIEZA / PART  | DESCRIPCIÓN                                  | DESCRIPTION                              | QTY. |
|-----|---|--|--|------|
| 1   |    | Carenabrís                                   | Windshield                               | 1    |
| 2   |   | Soporte metálico derecho                     | Right metal support                      | 1    |
| 3   |  | Soporte metálico izquierdo                   | Left metal support                       | 1    |
| 4   |  | Casquillo Ø int. 8,5 x Ø ext. 13x15          | Ø inner 8,5 x Ø outer 13x15 arrowhead    | 4    |
| 5   |  | Tornillo Allen DIN 912 M8x50                 | M8x50 Allen screw DIN 912                | 4    |
| 6   |  | Silentblock M5                               | M5 silentblock                           | 4    |
| 7   |  | Arandela de nylon M5x0,5                     | M5x0,5 nylon washer                      | 4    |
| 8   |  | Tornillo Allen M5x16 ISO 7380 (negro)        | M5x16 ISO 7380 (black) Allen screw       | 4    |
| 9   |  | Separador de silicona Ø16 (TOPE-PA-16DX8- -) | Silicon sticker Ø16mm (TOPE-PA-16DX8- -) | 1    |
| 10  |  | Tapón tornillo M5 ISO 7380                   | M5 ISO 7380 screw tap                    | 4    |

Created by: www.candissany.com



## INSTRUCCIONES DE MONTAJE - MOUNTING INSTRUCTIONS - MONTAGEANLEITUNG

### CARENABRÍS ADAPTABLE A - WINDSHIELD FOR - SCHEIBE FÜR HONDA CTX700N

