

# INDIAN FTR 1200/S '19-

## MOUNTING INSTRUCTIONS

REF 3834

**WINDSHIELD NAKED NEW GENERATION SPORT**



1 Person



15 min



EASY



ALLEN



Nº 3  
Nº 6

| ID. | PIEZA/PART  | DESCRIPCIÓN                       | DESCRIPTION                    | QTY. | REF.:           |
|-----|---|-----------------------------------|--------------------------------|------|-----------------|
| 1   |  | Cúpula SPORT                      | SPORT screen                   | 1    | 3834W/H/N/FM3   |
| 2   |  | Soporte izquierdo                 | Left support                   | 1    | SOPOR2PI-L-3834 |
| 3   |  | Soporte derecho                   | Right support                  | 1    | SOPOR2PI-R-3834 |
| 4   |  | Tornillo allen DIN912 M8X55       | M8X55 DIN912 allen screw       | 2    | TORNI-D912--631 |
| 5   |  | Casquillo Ø8,5x Ø13x 12           | Ø8,5xØ13x12 spacer             | 2    | CASQUI-M----769 |
| 6   |  | Silentblock M5                    | M5 silentblock                 | 4    | SILENBTM5-046/1 |
| 7   |  | Arandela nylon M5x1               | M5x1 nylon washer              | 4    | ARNV00000000245 |
| 8   |  | Tornillo allen M5x16 Ø11 ISO 7380 | M5x16 Ø11 ISO 7380 allen screw | 4    | TORNI-I7380-493 |
| 9   |  | Tapón tornillo M5 ISO 7380        | M5 ISO 7380 screw cap          | 4    | TAPON-----85    |

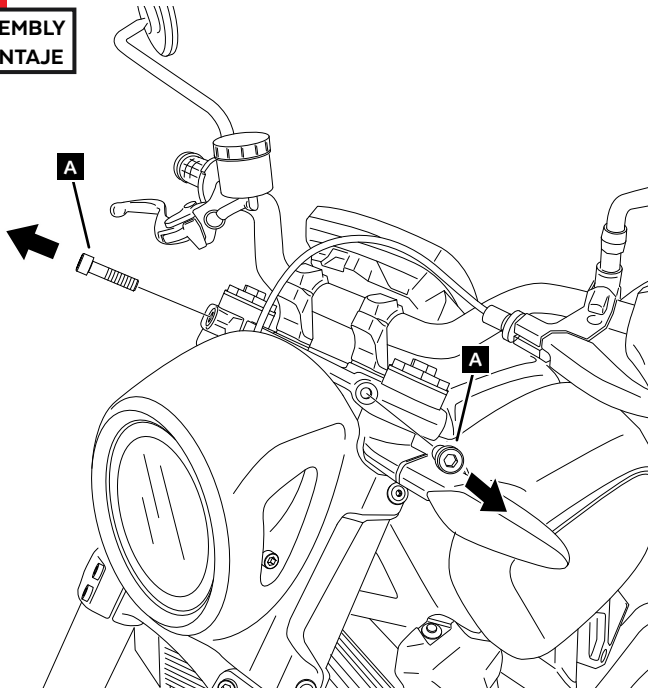
# INDIAN FTR 1200/S '19-

INSTRUCCIONES DE MONTAJE - MOUNTING INSTRUCTIONS - MONTAGEANLEITUNG

**1**

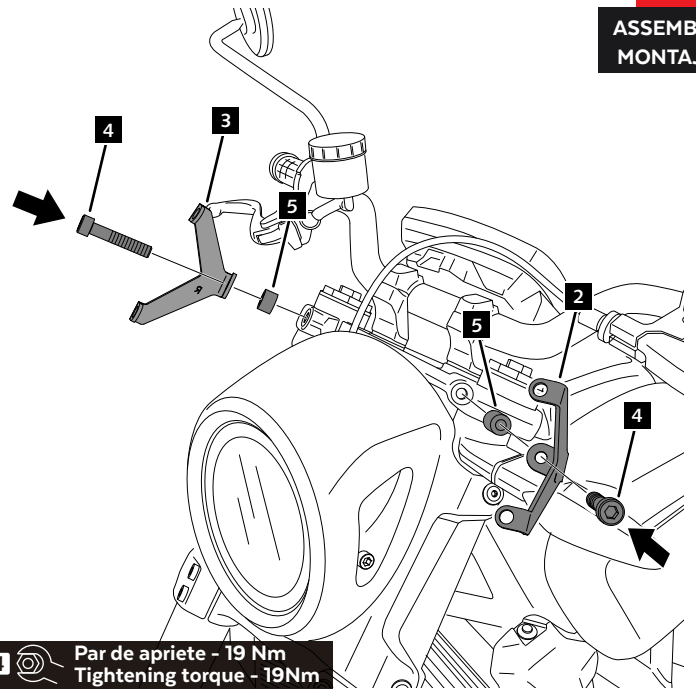
**DISASSEMBLY  
DESMONTAJE**

**A** Tornillería original  
Original screws



**2**

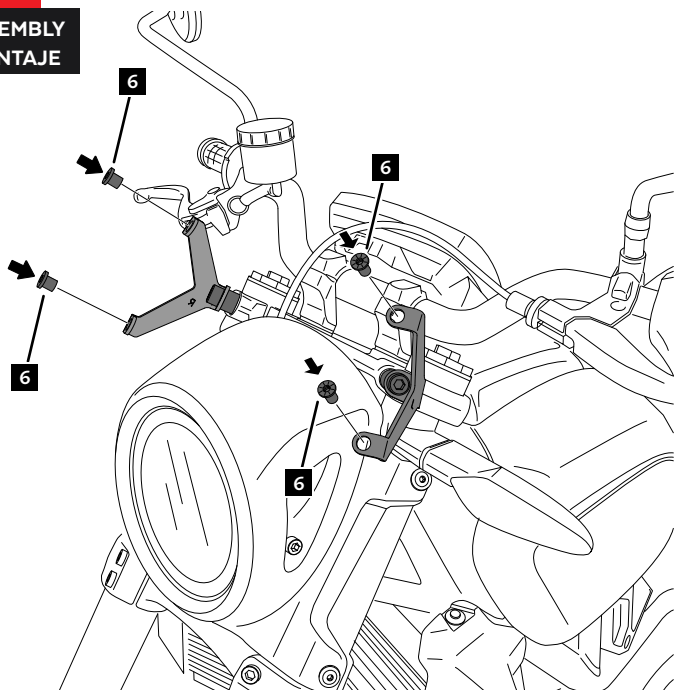
**ASSEMBLY  
MONTAJE**



**4** Par de apriete - 19 Nm  
Tightening torque - 19Nm

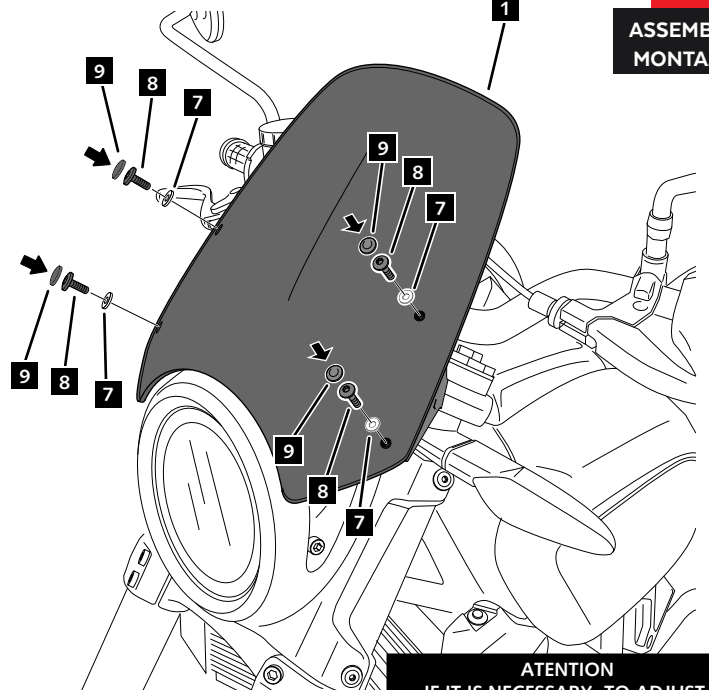
**3**

**ASSEMBLY  
MONTAJE**



**4**

**ASSEMBLY  
MONTAJE**



**ATTENTION**  
IF IT IS NECESSARY, TO ADJUST  
THE POSITION OF ID2/ID3 SUPPORTS