

MOTOPLASTIC, S.A.

Molí de la sal, 1 - 08403 Granollers (Barcelona) SPAIN

Tel. 34 93 849 06 33 - Fax 34 93 849 09 88

info@puig.tv - info@puigusa.com

www.puig.tv - www.puigusa.com



MATERIAL SUMINISTRADO Y ORDENADO PARA SU MONTAJE AL VEHÍCULO

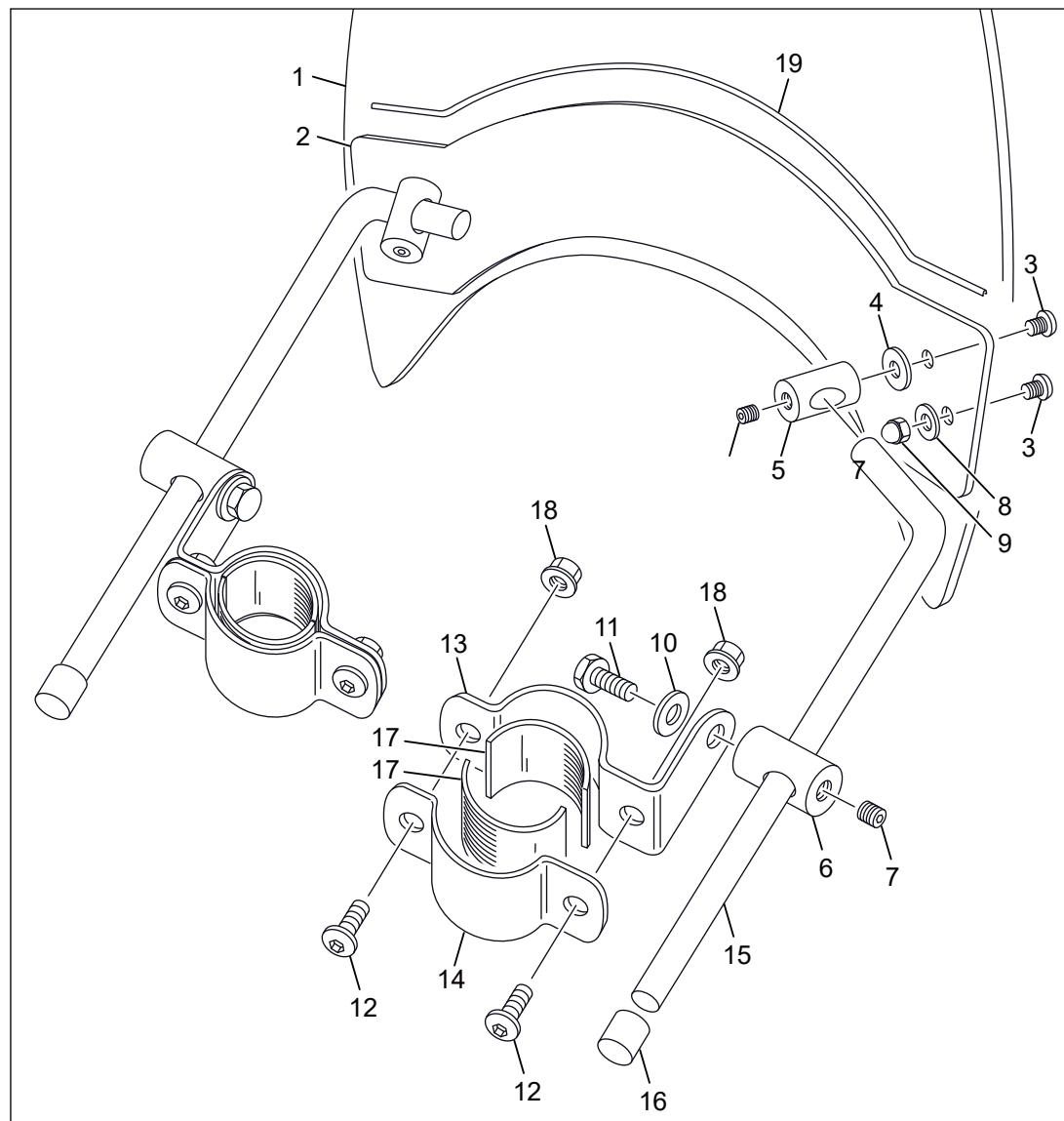
MATERIAL SUPPLIED AND SORTED TO ASSEMBLE TO THE SCOOTER

MATERIAL GELIEFERT UND ORDNET FÜR DIE MONTAGE AM MOTORRAD

ID.	DESCRIPCIÓN	DESCRIPTION	REF.	QTY.
1	Pantalla transparente	Clear Windshield	10388W/H	1
2	Platina exterior INOX	Outer bracket INOX	PLATINI304-0009	1
3	Tornillo Allen avellanado M6x12	Screw Allen countersunk M6x12	TORNIAI73801345	4
4	Arandela metálica Ø18xØ6,5x1,5	Metal washer Ø18xØ6,5x1,5	ARAND-PI-M6-399	2
5	Cilindro con taladro pasante l = 23mm	Screw with drill through l = 23mm	CILIN-RTPI--508	2
6	Cilindro con taladro pasante l = 30mm	Screw with drill through l = 30mm	CILIN-RTP-I-510	2
7	Tornillo Allen M8x8	Allen screw M8x8	TORNI-AI----521	4
8	Arandela metálica Ø12xØ6,5x1,5	Metal washer Ø12xØ6,5x1,5	ARAND-PI-M6-400	2
9	Tuerca ciega M6	M6 INOX nut	TUERCACEM6I-392	2
10	Arandela estriada Ø8	Striate washer Ø8	ARAND-PI-M8-401	2
11	Tornillo M8x15	M8x15 screw	TORNI-D933--467	2
12	Tornillo Allen M6x12 DIN 912	Allen screw M6x12 DIN 912	TORNIAD73801349	4
13	Semi-brida larga (barra horquilla)	Large semi-bridle	PLATI-I304---38	2
14	Semi-brida corta (barra horquilla)	Short semi-bridle	PLATI-I304---39	2
15	Varilla Ø9x205	Ø9x205 Large bar	VARILLPI304-112	2
16	Tope de plástico	Cover plastic	TOPEE-VPGT--8/4	2
17	Casquillo de plástico	Plastic arrowhead	CASQUI-CA----72	4
18	Tuerca gafrilada M6 INOX	Special M6 INOX nut	TUERC-GI----515	4
19	Ribete	Trim	RIBET-TE-CR----	0

## INSTRUCCIONES DE MONTAJE CARENABRÍS WINDSHIELD MOUNTING INSTRUCTIONS WINDSCHUTZSCHEIBE MONTAGEANLEITUNG

Mod.: ROADSTER  
Ref.: 5932W



MOTOPLASTIC, S.A.

Molí de la sal, 1 - 08403 Granollers (Barcelona) SPAIN

Tel. 34 93 849 06 33 - Fax 34 93 849 09 88

info@puig.tv

www.puig.tv



KIT CARENABRÍS ROADSTER FIJACIÓN A MANILLAR  
ROADSTER SCREEN FITTING KIT FOR HANDLEBAR  
ROADSTER ANBAUSATZ BEFESTIGT AUF DEM LENKER

Mod.: ROADSTER  
Ref.: 2179-I

MATERIAL SUMINISTRADO Y ORDENADO PARA SU MONTAJE AL VEHÍCULO

MATERIAL SUPPLIED AND SORTED TO ASSEMBLE TO THE SCOOTER

MATERIAL DELIEFERT UND ORDNET FÜR DIE MONTAGE AM MOTORRAD

ID.	DESCRIPCIÓN	DESCRIPTION	REF.	QTY.
1	Semibrida larga manillar Ø26 Inoxidable	Large semi-bridle Ø26 Rustless	PLATIN304-0024	2
2	Semibrida corta manillar Ø26 Inoxidable	Short semi-bridle Ø26 Rustless	PLATIN304-0025	2
3	Casquillo plástico para manillares Ø22	Aluminium arrowhead Ø22	CASQUI-PIX22-71	2
4	Casquillo plástico para manillares Ø26	Aluminium arrowhead Ø26	CASQUI-PIX26-77	2
5	Tornillo allen M6x15 ISO7380	M6x15 ISO7380 screw allen	TORNIAD7380I349	4
6	Varillas y tornillos del modelo ROADSTER	Dipstick and screws ROADSTER model	--	--

